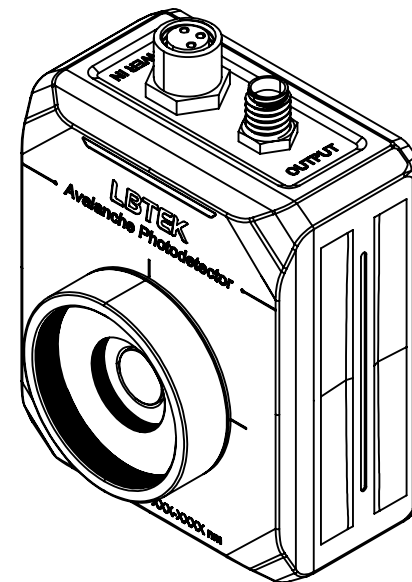
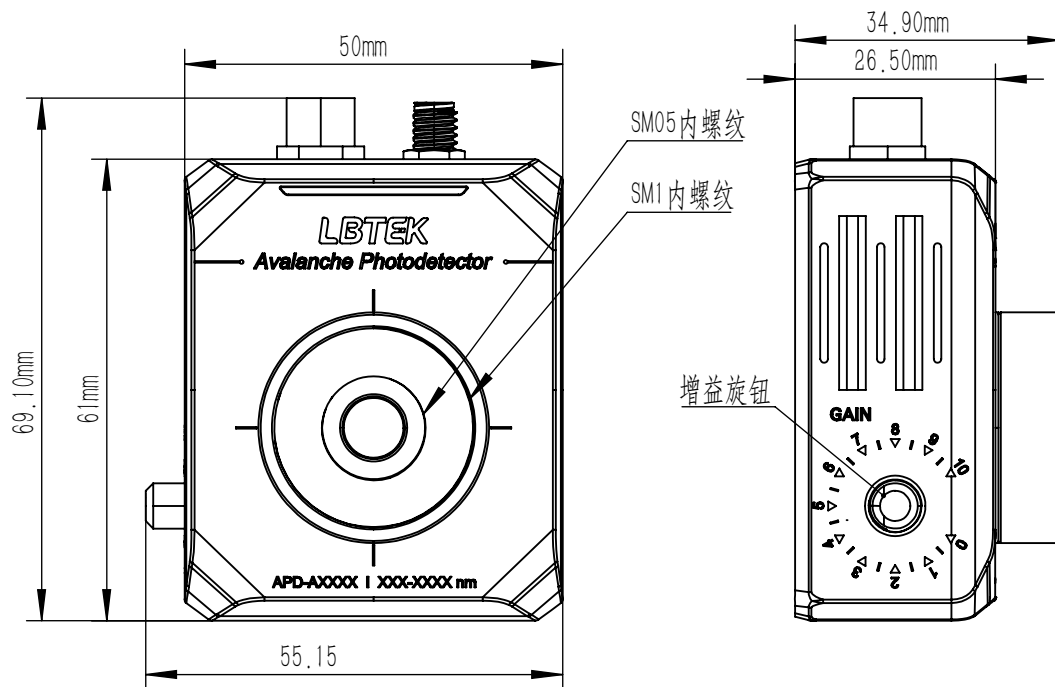
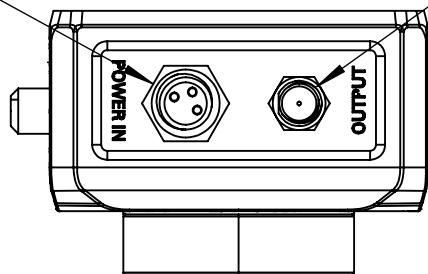


M4



供电接口

信号接口



DRAWING PROJECTION			LBTEK			
	NAME	DATE	APD-AXXX			
DRAWN	BWANG	SEP./30th/25	Avalanche Photodetector			
APPROVAL	PNIU	SEP./29th/25	MATERIAL	WEIGHT	SCALE	REV
FOR INFORMATION ONLY NOT FOR MANUFACTURING PURPOSES				g	1:1	A