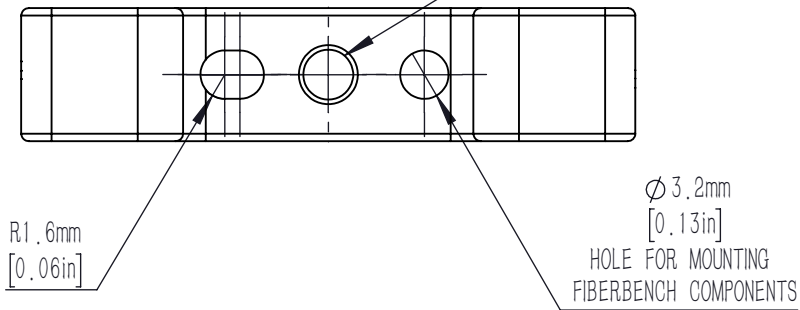


M4 TAPPED THRU FOR
POST MOUNTING



DRAWING PROJECTION			LBTEK			
NAME	DATE	BFOPM-30				
DRAWN	CZH	DEC./7th/23	DROP IN 30mm CAGE MOUNT FOR FIBERBENCH COMPONENTS, METRIC			
APPROVAL	HDE	DEC./7th/23	MATERIAL	WEIGHT	SCALE	REV
FOR INFORMATION ONLY NOT FOR MANUFACTURING PURPOSES			N/A	0.009 Kg	2:1	B