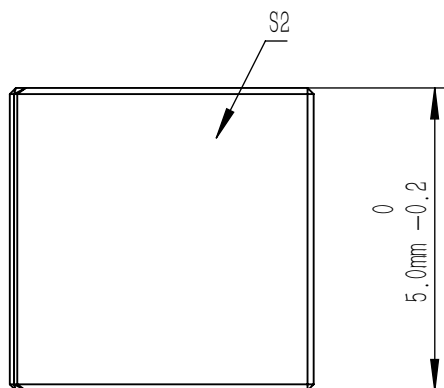


SCALE 4: 1

NOTES

1. CLEAR APERTURE: >70%CA
2. AR COATING(S1,S2,S3,S4):  $R_{AVG} < 0.5\%$  @400 nm–700 nm(6° AOI, SINGLE SURFACE)
3. DIAMETER TOLERANCE: +0.0/-0.2 mm
4. ANGLE TOLERANCE:  $\pm 1'$
5. COATING(S5):  
 $T_{abs} = (47 \pm 10)\%$ ,  $R_{abs} = (47 \pm 10)\%$ ,  $T_{abs} + R_{abs} > 85\%$   
 $|T_s - T_p| < 10\%$ ,  $|R_s - R_p| < 10\%$
6. GLUED(S5,S6): NOA61
7. SPLIT RATIO(R:T): 50:50
8. TRANSMITTED BEAM DEVIATION:  $0^\circ \pm 5$  arcmin
9. REFLECTED BEAM DEVIATION:  $90^\circ \pm 5$  arcmin
10. SURFACE QUALITY(S1,S2,S3,S4): 40/20(S/D)
11. WAVEFRONT ERROR(RMS):  $\lambda/4 @ 633$  nm
12. SURFACE FLATNESS(S1,S2,S3,S4):  $\lambda/10 @ 633$  nm
13. OTHER SURFACES: FINE GROUND
14. CHAMFER: 0.2 mm, 45°



DRAWING PROJECTION			<b>LBTEK</b>			
	NAME	DATE				
DRAWN	LZHOU	Aug./12th/24	BEAM SPLITTER L=5.0 mm, R:T=50:50@400 nm–700 nm			
APPROVAL	WCHENG	Aug./12th/24	MATERIAL	WEIGHT	SCALE	REV
FOR INFORMATION ONLY NOT FOR MANUFACTURING PURPOSES			N-BK7	0.3 g	8:1	A