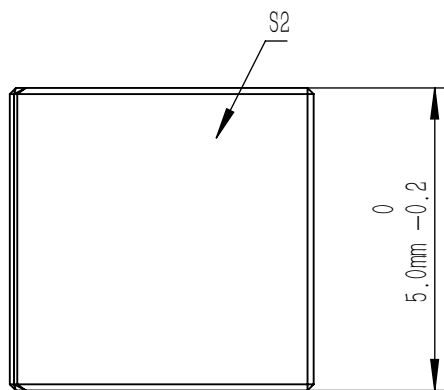


SCALE 4: 1

NOTES

1. CLEAR APERTURE: >70%CA
2. AR COATING(S1,S2,S3,S4): $R_{avg} < 0.5\%$ @400 nm-700 nm(6° AOI,SINGLE SURFACE)
3. ANGLE TOLERANCE: $\pm 5'$
4. COATING(S5): SPLITTING COATING
 $T_{abs}=(7+10/-7)\%$, $R_{abs}=(87+10/-30)\%$, $T_{abs}+R_{abs}>70\%$, 400-550nm;
 $T_{abs}=(7+10/-7)\%$, $R_{abs}=(87 \pm 10)\%$, $T_{abs}+R_{abs}>85\%$, 550-700nm;
 $|T_s - T_p| < 10\%$, $|R_s - R_p| < 10\%$;
5. GLUED(S5,S6): NOA61
6. SPLIT RATIO(R:T): 90:10
7. TRANSMITTED BEAM DEVIATION: $0^\circ \pm 5$ arcmin
8. REFLECTED BEAM DEVIATION: $90^\circ \pm 5$ arcmin
9. SURFACE QUALITY(S1,S2,S3,S4): 40/20(S/D)
10. WAVEFRONT ERROR(RMS): $\lambda/4@633$ nm
11. SURFACE FLATNESS(S1,S2,S3,S4): $\lambda/6@633$ nm
12. OTHER SURFACES: FINE GROUND
13. CHAMFER: 0.2 mm, 45°



DRAWING PROJECTION			LBTEK			
	NAME	DATE				
DRAWN	LZHOU	Aug./12th/24	BEAM SPLITTER L=5.0 mm,R:T=90:10@400 nm-700 nm			
APPROVAL	WCHENG	Aug./12th/24	MATERIAL	WEIGHT	SCALE	REV
FOR INFORMATION ONLY NOT FOR MANUFACTURING PURPOSES			N-BK7	0.3 g	8:1	A