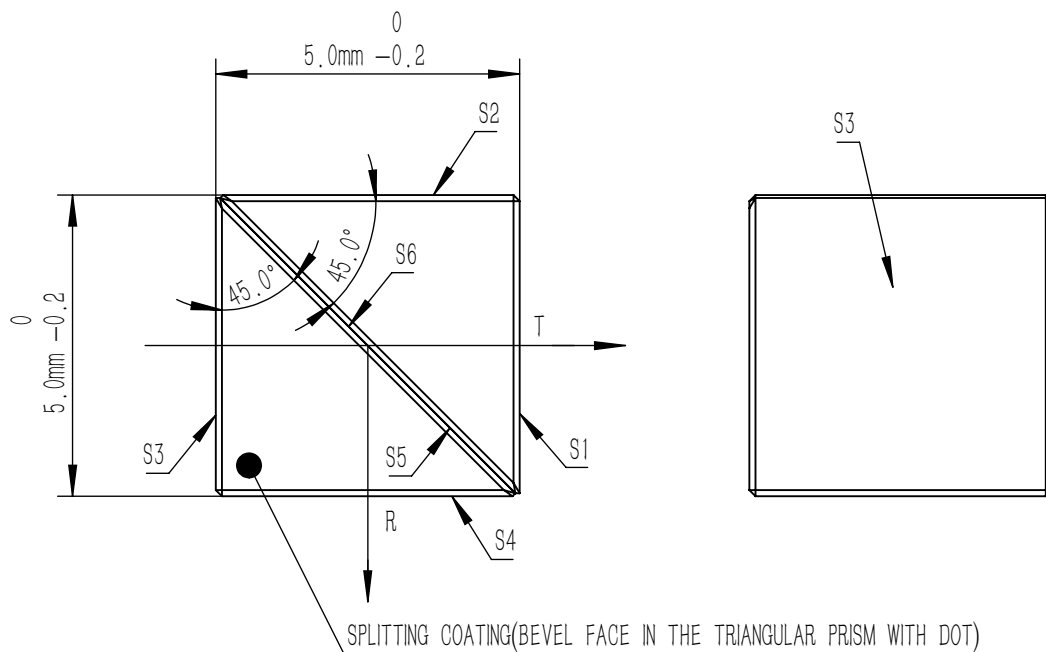
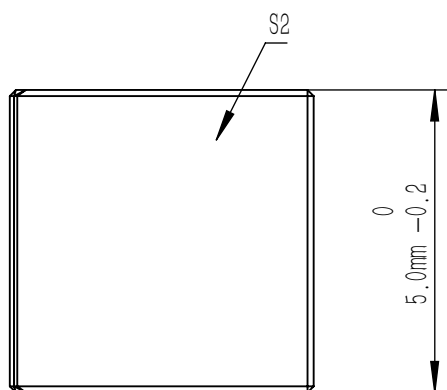


SCALE 4: 1



SPLITTING COATING(BEVEL FACE IN THE TRIANGULAR PRISM WITH DOT)



NOTES

- CLEAR APERTURE: >70%CA
- AR COATING(S1,S2,S3,S4): $R_{avg} < 0.5\%$ @700 nm-1100 nm(6° AOI,SINGLE SURFACE)
- ANGLE TOLERANCE: $\pm 5'$
- COATING(S5): SPLITTING COATING
 $T_{abs} = (7+10/-7)\%$, $R_{abs} = (87 \pm 10)\%$;
 $|T_s - T_p| < 10\%$, $|R_s - R_p| < 10\%$; $T_{abs} + R_{abs} > 85\%$
- GLUED(S5,S6): NOA61
- SPLIT RATIO(R:T): 90:10
- TRANSMITTED BEAM DEVIATION: $0^\circ \pm 5$ arcmin
- REFLECTED BEAM DEVIATION: $90^\circ \pm 5$ arcmin
- SURFACE QUALITY(S1,S2,S3,S4): 40/20(S/D)
- WAVEFRONT ERROR(RMS): $\lambda/4@633$ nm
- SURFACE FLATNESS(S1,S2,S3,S4): $\lambda/6@633$ nm
- OTHER SURFACES: FINE GROUND
- CHAMFER: 0.2 mm, 45°

DRAWING PROJECTION			LBTEK			
NAME	DATE	BS1091-B				
DRAWN	LZHOU	Aug./12th/24	BEAM SPLITTER			
			L=5.0 mm,R:T=90:10@700 nm-1100 nm			
APPROVAL	WCHENG	Aug./12th/24	MATERIAL	WEIGHT	SCALE	REV
FOR INFORMATION ONLY NOT FOR MANUFACTURING PURPOSES			N-BK7	0.3 g	8:1	A