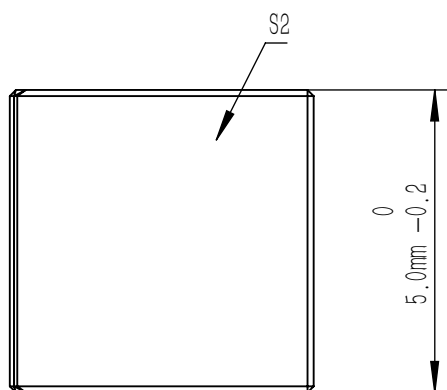
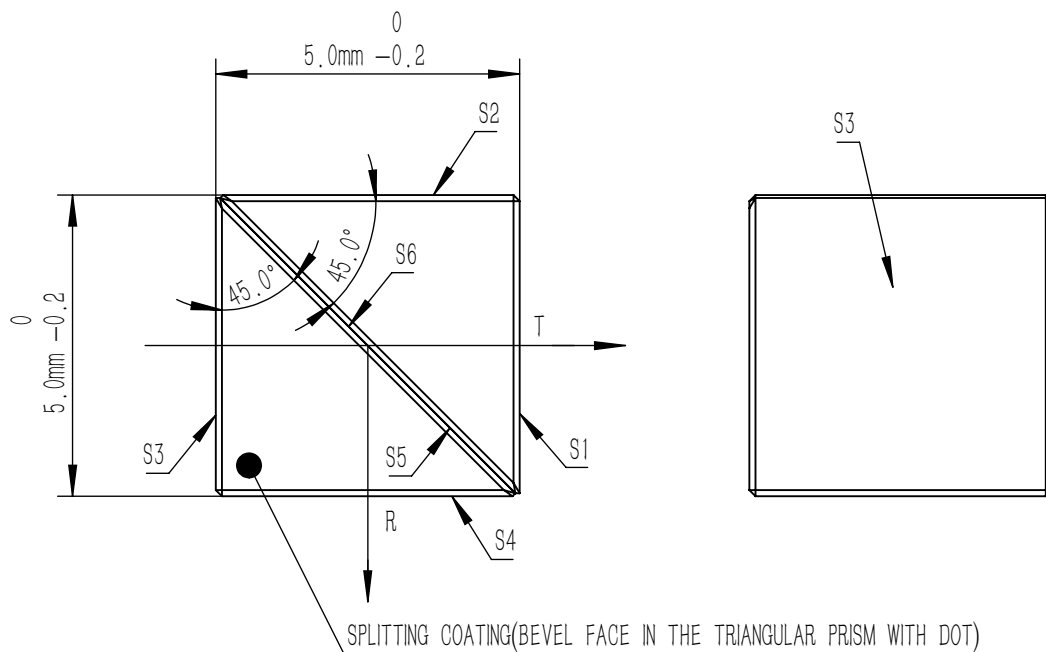


SCALE 4: 1



NOTES

- CLEAR APERTURE: >70%CA
- AR COATING(S1,S2,S3,S4):  $R_{avg} < 0.5\%$  @1100 nm–1600 nm(6° AOI,SINGLE SURFACE)
- ANGLE TOLERANCE:  $\pm 5'$
- COATING(S5): SPLITTING COATING  
 $T_{abs} = (7+10/-7)\%$ ,  $R_{abs} = (87 \pm 10)\%$ ;  
 $|T_s - T_p| < 10\%$ ,  $|R_s - R_p| < 10\%$ ;  $T_{abs} + R_{abs} > 85\%$
- GLUED(S5,S6): NOA61
- SPLIT RATIO(R:T): 90:10
- TRANSMITTED BEAM DEVIATION:  $0^\circ \pm 5$  arcmin
- REFLECTED BEAM DEVIATION:  $90^\circ \pm 5$  arcmin
- SURFACE QUALITY(S1,S2,S3,S4): 40/20(S/D)
- WAVEFRONT ERROR(RMS):  $\lambda/4@633$  nm
- SURFACE FLATNESS(S1,S2,S3,S4):  $\lambda/6@633$  nm
- OTHER SURFACES: FINE GROUND
- CHAMFER: 0.2 mm, 45°

DRAWING PROJECTION			<b>LBTEK</b>			
NAME	DATE					
			BS1091-C			
DRAWN	LZHOU	Aug./12th/24	BEAM SPLITTER L=5.0 mm,R:T=90:10@1100 nm–1600 nm			
APPROVAL	WCHENG	Aug./12th/24	MATERIAL	WEIGHT	SCALE	REV
FOR INFORMATION ONLY NOT FOR MANUFACTURING PURPOSES			N-BK7	0.3 g	8:1	A