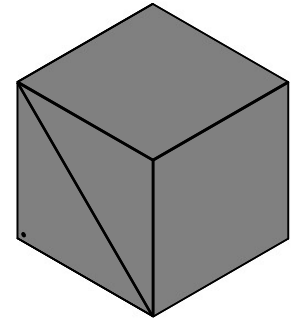
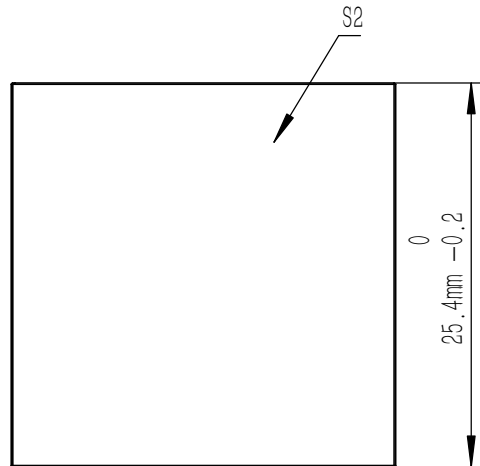
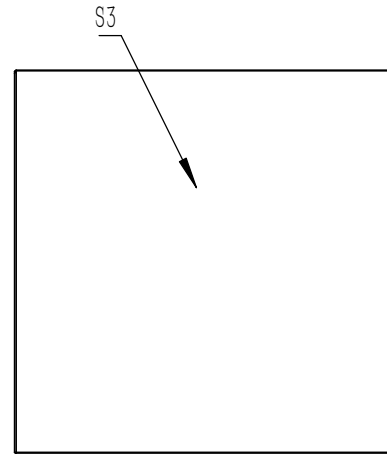


SPLITTING COATING(BEVEL FACE IN THE TRIANGULAR PRISM WITH DOT)



SCALE 1: 1

NOTES

1. CLEAR APERTURE: >80%CA
2. AR COATING(S1,S2,S3,S4): RAVG<0.5% @400 nm-700 nm (6° AOI,SINGLE SURFACE)
3. DIAMETER TOLERANCE: +0.0/-0.2 mm
4. ANGLE TOLERANCE: ±1'
5. COATING(S5):  
 $T_{abs}=(47 \pm 10)\%$ ,  $R_{abs}=(47 \pm 10)\%$ ,  $T_{abs}+R_{abs}>85\%$   
 $|T_s-T_p| < 10\%$ ,  $|R_s-R_p| < 10\%$
6. GLUED(S5,S6): NOA61
7. SPLIT RATIO(R:T): 50:50
8. TRANSMITTED BEAM DEVIATION:  $0^\circ \pm 5$  arcmin
9. REFLECTED BEAM DEVIATION:  $90^\circ \pm 5$  arcmin
10. SURFACE QUALITY(S1,S2,S3,S4): 40/20(S/D)
11. WAVEFRONT ERROR(RMS):  $\lambda/4@633$  nm
12. SURFACE FLATNESS(S1,S2,S3,S4):  $\lambda/10@633$  nm
13. OTHER SURFACES: FINE GROUND
14. CHAMFER: 0.2 mm, 45°

DRAWING PROJECTION			<b>LBTEK</b>			
NAME	DATE					
			<b>BS1455-A</b>			
DRAWN	LZHOU	Aug./12th/24	BEAM SPLITTER L=25.4 mm,R:T=50:50@400 nm-700 nm			
APPROVAL	WCHENG	Aug./12th/24	MATERIAL	WEIGHT	SCALE	REV
FOR INFORMATION ONLY NOT FOR MANUFACTURING PURPOSES			N-BK7	41.1 g	2:1	A