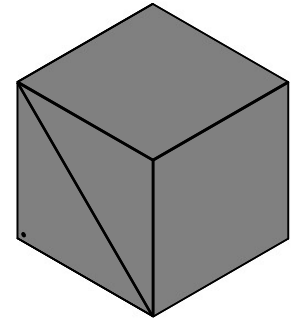
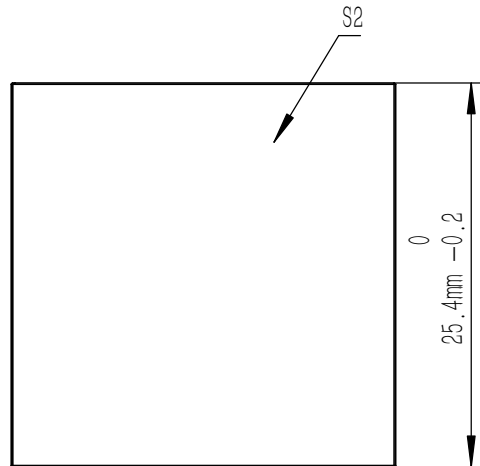
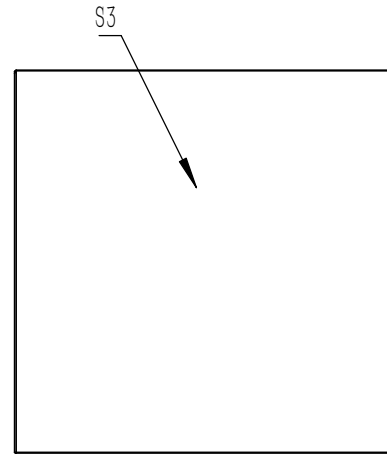


SPLITTING COATING(BEVEL FACE IN THE TRIANGULAR PRISM WITH DOT)



SCALE 1: 1

NOTES

- CLEAR APERTURE: >80%CA
- AR COATING(S1,S2,S3,S4): RAVG<0.5% @700 nm-1100 nm (6° AOI,SINGLE SURFACE)
- DIAMETER TOLERANCE: +0.0/-0.2 mm
- ANGLE TOLERANCE: ±1'
- COATING(S5):  
 $T_{abs}=(47 \pm 10)\%$ ,  $R_{abs}=(47 \pm 10)\%$ ,  $T_{abs}+R_{abs}>85\%$   
 $|T_s-T_p| < 10\%$ ,  $|R_s-R_p| < 10\%$
- GLUED(S5,S6): NOA61
- SPLIT RATIO(R:T): 50:50
- TRANSMITTED BEAM DEVIATION:  $0^\circ \pm 5$  arcmin
- REFLECTED BEAM DEVIATION:  $90^\circ \pm 5$  arcmin
- SURFACE QUALITY(S1,S2,S3,S4): 40/20(S/D)
- WAVEFRONT ERROR(RMS):  $\lambda/4@633$  nm
- SURFACE FLATNESS(S1,S2,S3,S4):  $\lambda/10@633$  nm
- OTHER SURFACES: FINE GROUND
- CHAMFER: 0.2 mm, 45°

|  |        |              |   |        |       |     |
|--|--------|--------------|---|--------|-------|-----|
| DRAWING PROJECTION                                     |        |              | <b>LBTEK</b>  |        |       |     |
| NAME   | DATE   |              |   |        |       |     |
|  |        |              | <b>BS1455-B</b>                                     |        |       |     |
| DRAWN  | LZHOU  | Aug./12th/24 | BEAM SPLITTER<br>L=25.4 mm,R:T=50:50@700 nm-1100 nm |        |       |     |
| APPROVAL   | WCHENG | Aug./12th/24 | MATERIAL  | WEIGHT | SCALE | REV |
| FOR INFORMATION ONLY<br>NOT FOR MANUFACTURING PURPOSES |        |              | N-BK7   | 41.1 g | 2:1   | A   |