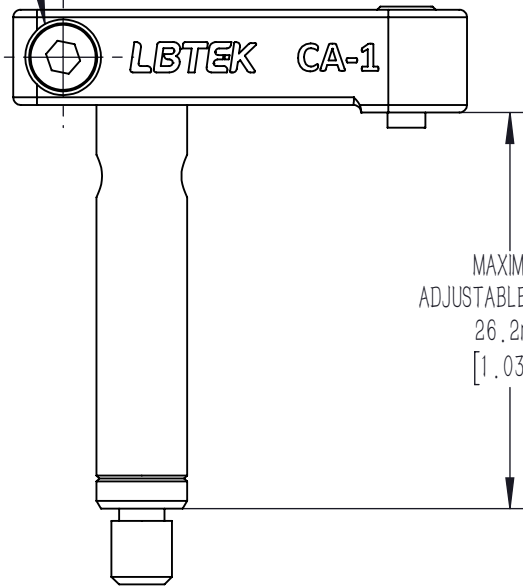
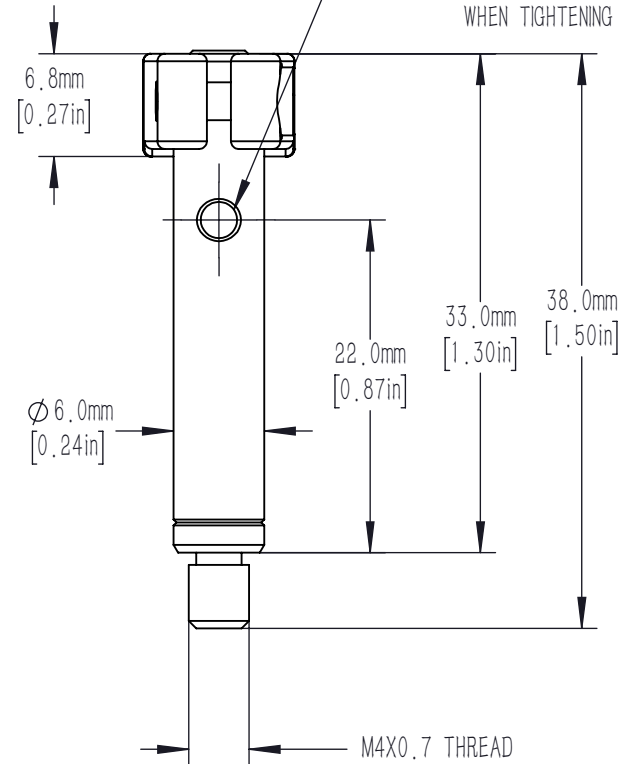


M2.5 x 0.45 LOCKING SCREW
2.0mm [5/64in] HEX



MAXIMUM
ADJUSTABLE HEIGHT
26.2mm
[1.03in]

Ø 2.4mm [0.09in] THROUGH HOLE
FOR ADDED TORQUE
WHEN TIGHTENING /REMOVING



6.8mm
[0.27in]

22.0mm
[0.87in]

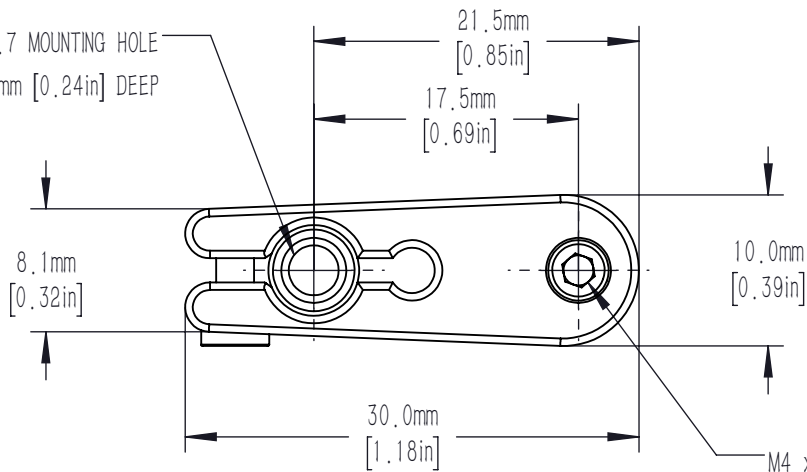
33.0mm
[1.30in]

38.0mm
[1.50in]

Ø 6.0mm
[0.24in]

M4X0.7 THREAD

M4 X 0.7 MOUNTING HOLE
6.0mm [0.24in] DEEP



M4 x 0.7 NYLON TIP SETSCREW
FOR SECURING OPTIC
2.0mm [5/64in] HEX



DRAWING PROJECTION			LBTEK			
	NAME	DATE				
DRAWN	CZH	JUN./12th/23	ADJUSTABLE PRISM CLAMP			
APPROVAL	ZXU	JUN./12th/23	MATERIAL	WEIGHT	SCALE	REV
FOR INFORMATION ONLY NOT FOR MANUFACTURING PURPOSES			N/A	0.01 Kg	2:1	C