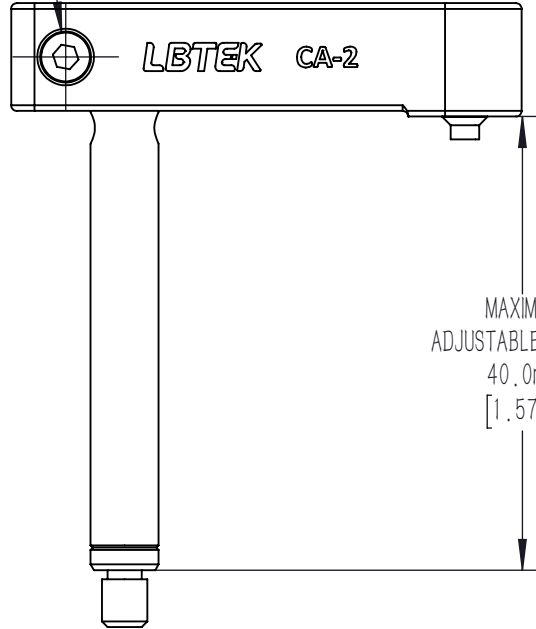
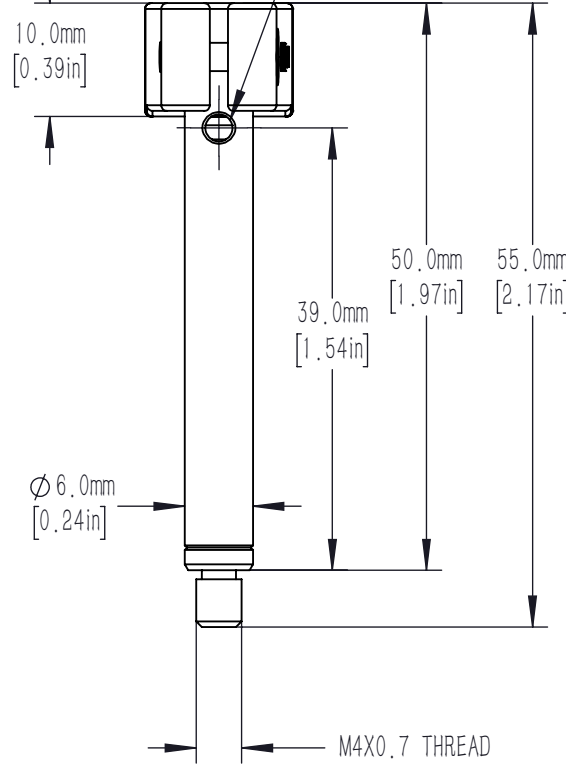


M2.5 x 0.45 LOCKING SCREW  
2.0mm[5/64in]HEX

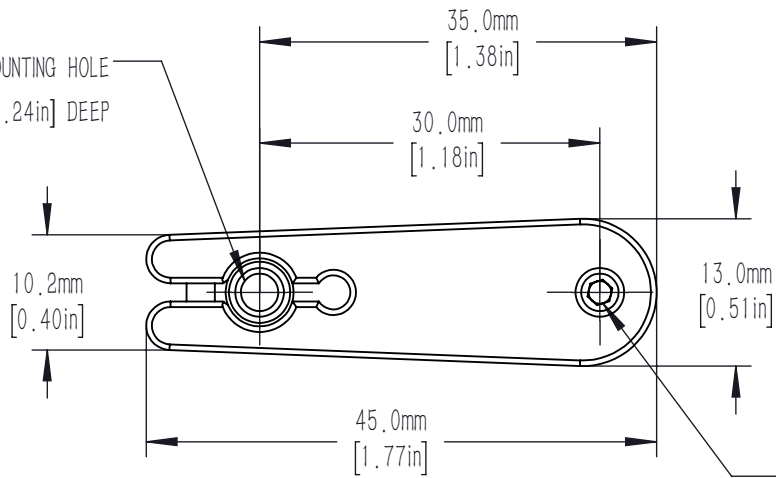


MAXIMUM  
ADJUSTABLE HEIGHT  
40.0mm  
[1.57in]

Ø 2.4mm [0.09in] THROUGH HOLE  
FOR ADDED TORQUE  
WHEN TIGHTENING /REMOVING



M4 X 0.7 MOUNTING HOLE  
6.0mm [0.24in] DEEP



M4 x 0.7 NYLON TIP SETSCREW  
FOR SECURING OPTIC  
2.0mm[5/64in] HEX

DRAWING PROJECTION			<b>LBTEK</b>			
	NAME	DATE				
DRAWN	YCH	JUN./28th/19	ADJUSTABLE PRISM CLAMP			
APPROVAL	LDAI	JUN./28th/19	MATERIAL	WEIGHT	SCALE	REV
FOR INFORMATION ONLY NOT FOR MANUFACTURING PURPOSES			N/A	0.02 Kg	1.5:1	B