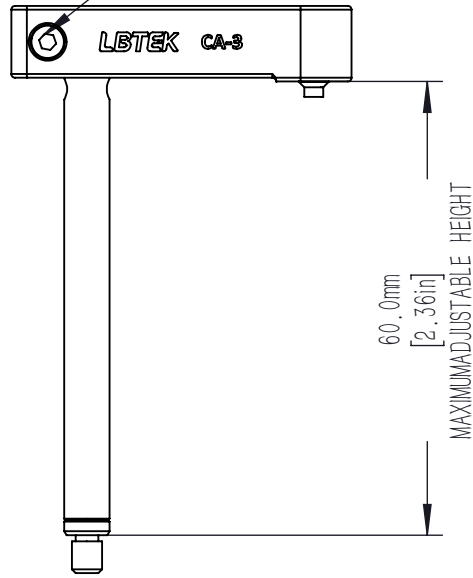
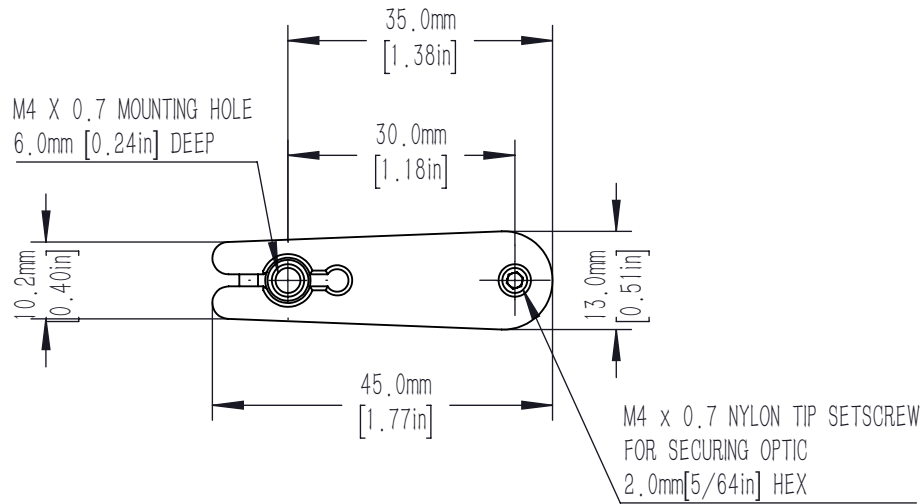
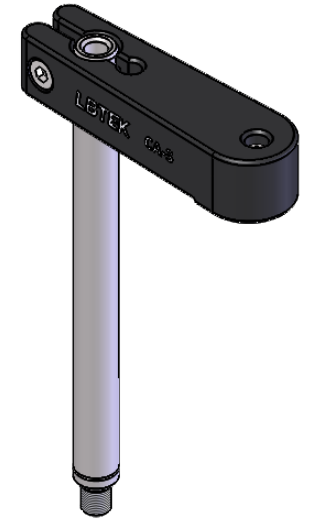
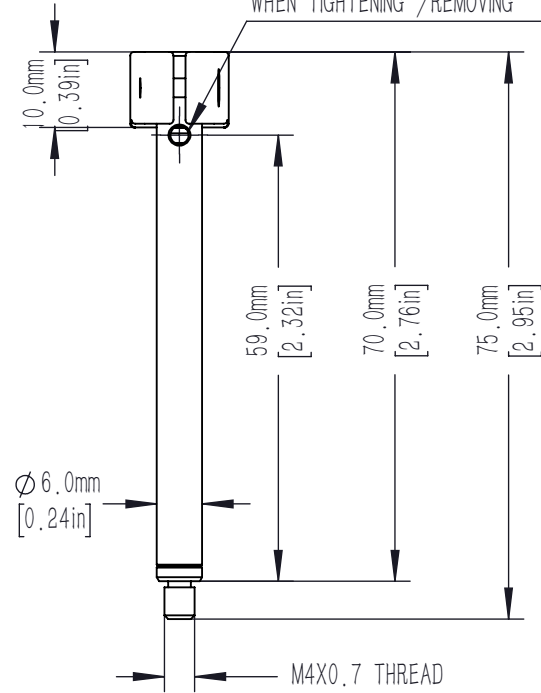


M2.5 x 0.45 LOCKING SCREW  
2.0mm[5/64in]HEX



φ 2.4mm [0.09in] THROUGH HOLE  
FOR ADDED TORQUE  
WHEN TIGHTENING /REMOVING



DRAWING PROJECTION			<b>LBTEK</b>			
	NAME	DATE				
DRAWN	YCH	MAR./6th/20	ADJUSTABLE PRISM CLAMP			
APPROVAL	ZHE	MAR./6th/20	MATERIAL	WEIGHT	SCALE	REV
FOR INFORMATION ONLY NOT FOR MANUFACTURING PURPOSES			N/A	0.03 Kg	1:1	B