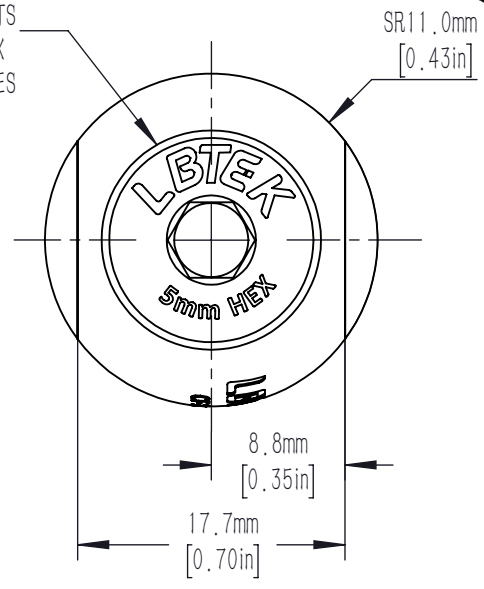


$\varnothing 14.5\text{mm}$ [0.57in] KNURLED THUMBSCREW FOR SECURING OF OP SERIES POSTS
 5.0mm [0.20in] HEX BOTH SIDES



| | | | | | | |
|--|-------|--------------|----------------|---------|-------|-----|
| DRAWING PROJECTION | | | LBTEK | | | |
| | NAME | DATE | | | | |
| DRAWN | ZYANG | JUN./25th/19 | 90° POST CLAMP | | | |
| APPROVAL | LDAI | JUN./25th/19 | MATERIAL | WEIGHT | SCALE | REV |
| FOR INFORMATION ONLY NOT FOR MANUFACTURING PURPOSES | | | ALUMINIUM | 0.03 Kg | 2:1 | B |