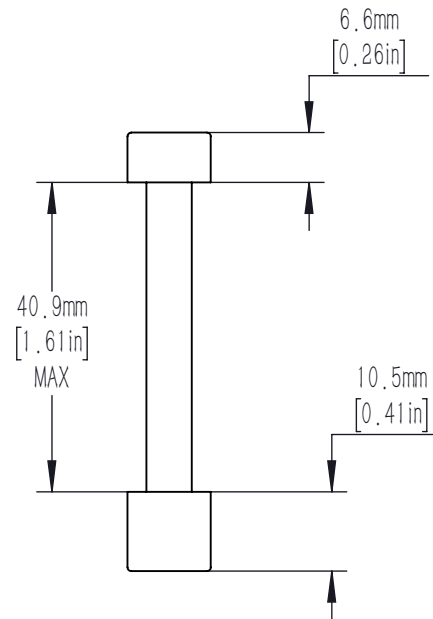
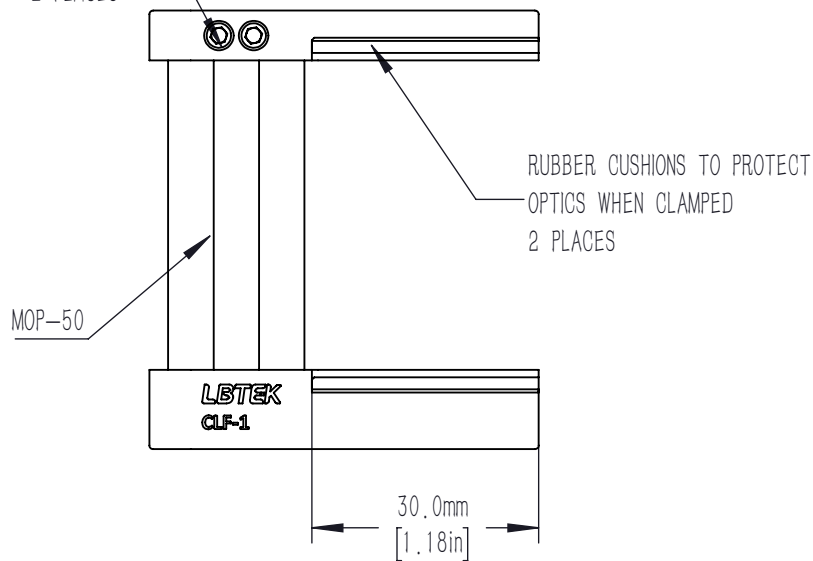


M4x0.7 SETSCREW
2.0mm [0.08in] HEX
TO LOCK CLAMP
2 PLACES



DRAWING PROJECTION			LBTEK			
	NAME	DATE				
DRAWN	CZH	MAR. /28th/23	CYLINDRICAL LENS HOLDER			
APPROVAL	ZXU	MAR. /28th/23	MATERIAL	WEIGHT	SCALE	REV
FOR INFORMATION ONLY NOT FOR MANUFACTURING PURPOSES			N/A	0.11 Kg	1:1	C