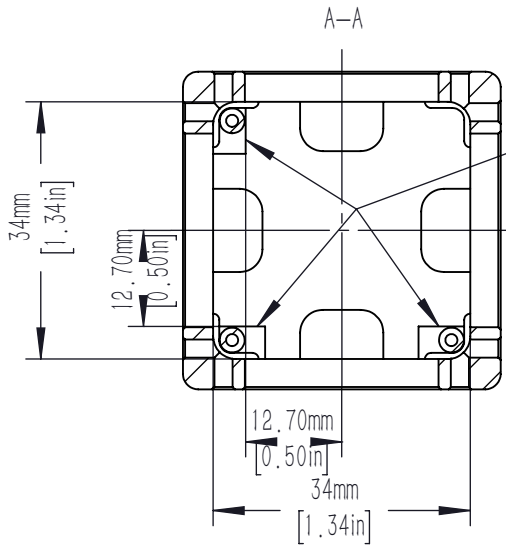
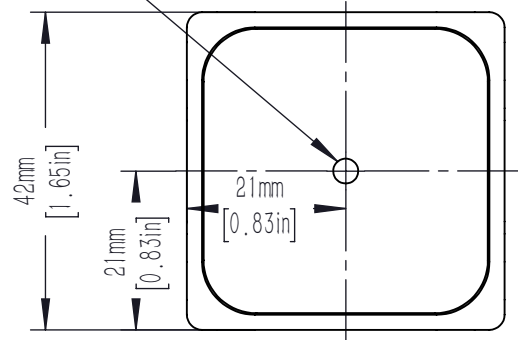
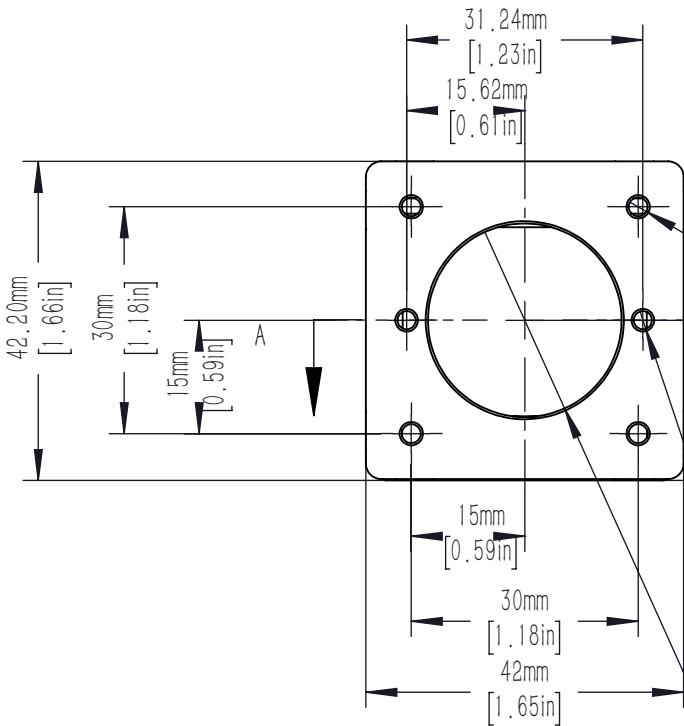
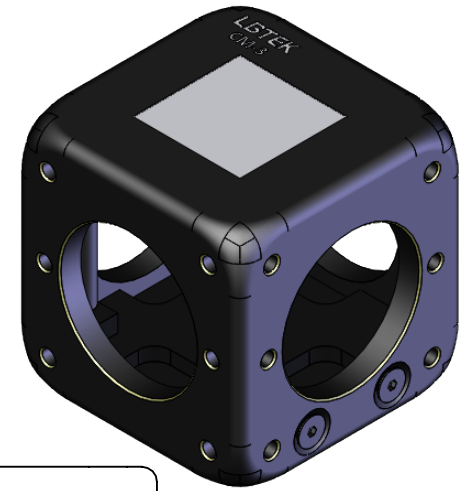


M4x0.7 MOUNTING HOLE  
5.5mm (0.22in) DEEP



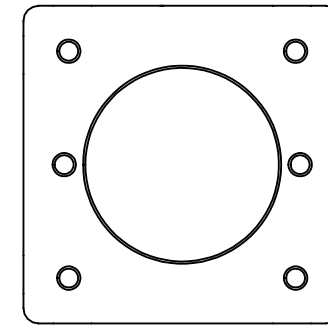
FOR PROPER MOUNTING,  
OPTIC MUST SIT FLUSH WITH  
ALL THREE ALIGNMENT FACES  
OF THE BASE



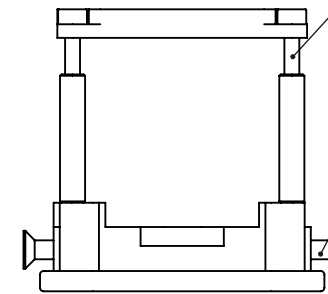
M3x0.5 TAPPED HOLES  
16 PLACES (4 PLACES, 4 SIDES)  
FOR USING WITH  $\varnothing 6$ mm  
CAGE ASSEMBLY RODS (NOT INCLUDED)

$\varnothing 2.4$ mm ( $\varnothing 0.10$ in)  
DOWEL ALIGNMENT HOLES  
FOR CMC (CAGE CUBE  
CONNECTOR, NOT INCLUDED)  
8 PLACES  
(2 PLACES, 4 SIDES)

SM1 ( $\varnothing 1.035-40$ ) SERIES  
TAPPED THRU HOLE  
4 PLACES  
(1 PLACES, 4 SIDES)



3xM2x12mm  
1.5mm HEX



4xM2.5x6mm  
1.5mm HEX

DRAWING PROJECTION				<b>LBTEK</b>			
				CM-3			
DRAWN	ZHE	AUG./27th/20	30 mm CAGE CUBE FOR PRISMS AND BEAMSPLITTER CUBES				
APPROVAL	YCH	AUG./27th/20	MATERIAL	WEIGHT	SCALE	REV	
FOR INFORMATION ONLY NOT FOR MANUFACTURING PURPOSES			N/A	0.24 Kg	1:1	D	