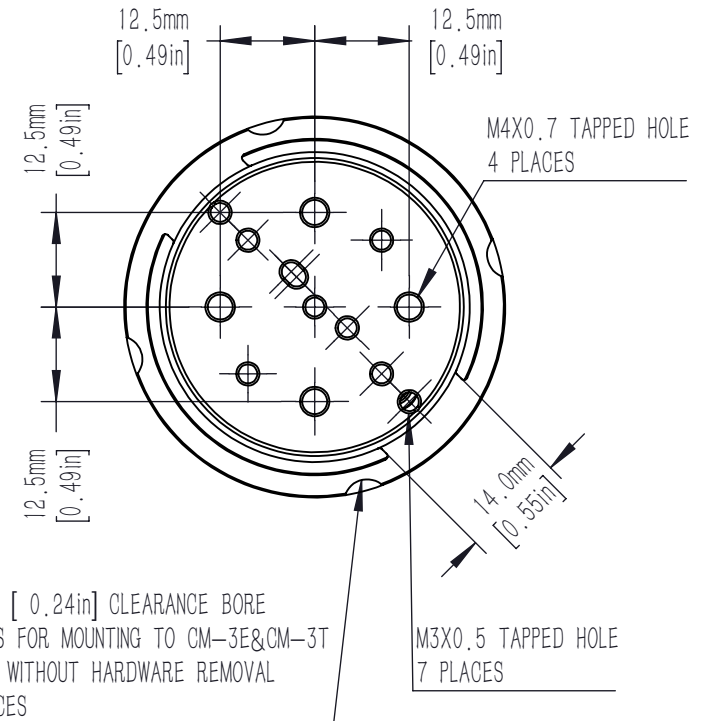
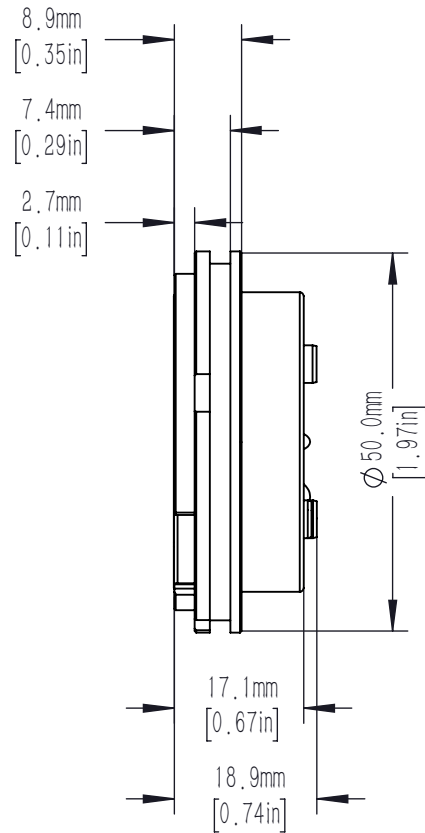
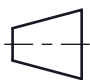



M5X0.25 ADJUSTER SCREWS
 PROVIDES +/-4° TOTAL ANGULAR DISPLACEMENT
 3 PLACES
 2.0mm [5/64in] HEX



6.2mm [0.24in] CLEARANCE BORE
 ALLOWS FOR MOUNTING TO CM-3E&CM-3T
 CUBES WITHOUT HARDWARE REMOVAL
 4 PLACES

DRAWING PROJECTION		 		LBTEK			
	NAME	DATE	CM-3B2				
DRAWN	CZH	MAR./9th/22	ADJUSTABLE PRISM PLATFORM				
APPROVAL	ZXU	MAR./9th/22	MATERIAL	WEIGHT	SCALE	REV	
FOR INFORMATION ONLY NOT FOR MANUFACTURING PURPOSES			N/A	0.068 Kg	1:1	B	