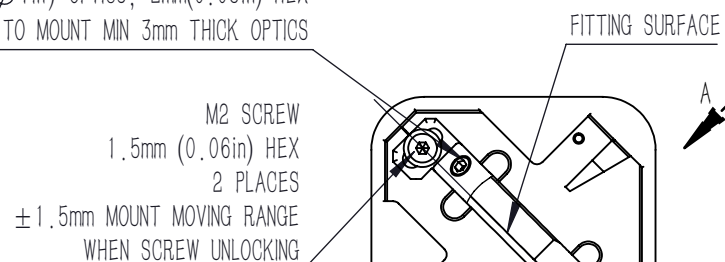
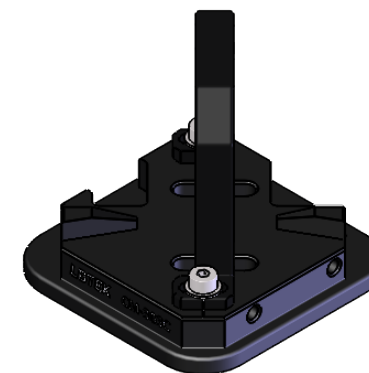
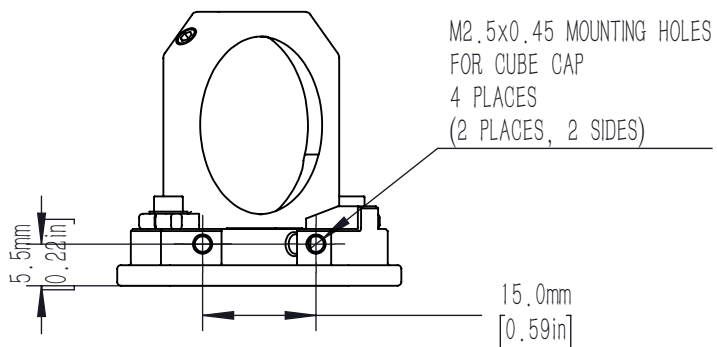
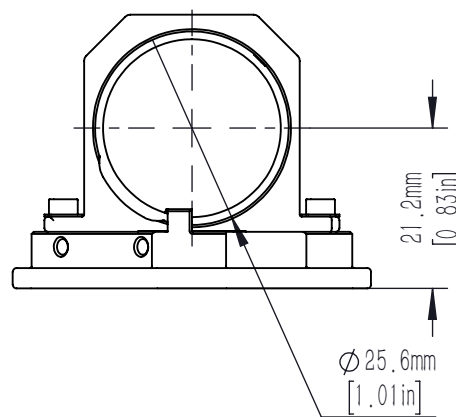


NYLON TIP FOR LOCKING  $\varnothing 25.4\text{mm}$   
( $\varnothing 1\text{in}$ ) OPTICS, 2mm(0.08in) HEX  
TO MOUNT MIN 3mm THICK OPTICS



45° INDICATOR ALIGNING LINE

VIEW A  
225.00°



DRAWING PROJECTION			<b>LBTEK</b>			
	NAME	DATE				
DRAWN	ZHE	JUN./26th/19	DICHROIC FILTER MOUNT FOR 25.4mm OPTICS 45° ALIGN			
APPROVAL	LDAI	JUN./26th/19	MATERIAL	WEIGHT	SCALE	REV
FOR INFORMATION ONLY NOT FOR MANUFACTURING PURPOSES			N/A	0.08 Kg	1:1	B