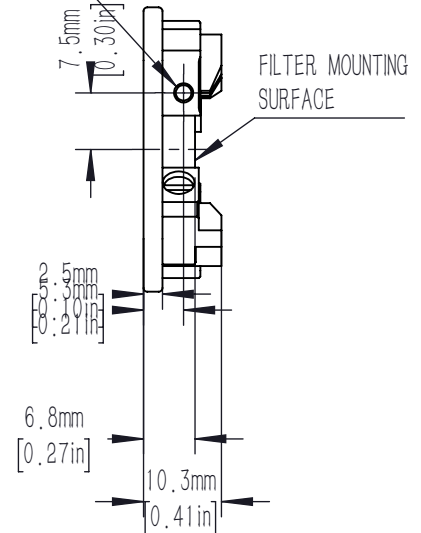
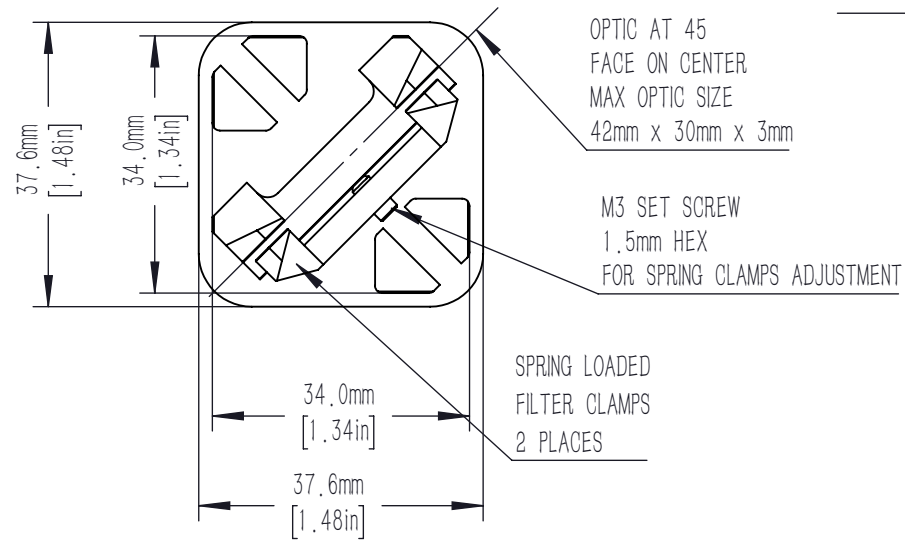
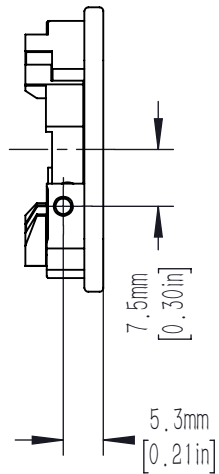


M3x0.5 MOUNTING HOLE  
4.0mm (0.16in) DEEP  
FOR CUBE CONNECTING  
2 PLACES



DRAWING PROJECTION			<b>LBTEK</b>			
	NAME	DATE				
DRAWN	CZH	MAY./30th/23	DICHROIC FILTER MOUNT FOR FOR 36x25 RECTANG OPTICS 45° ALIGN			
APPROVAL	ZXU	MAY./30th/23	MATERIAL	WEIGHT	SCALE	REV
FOR INFORMATION ONLY NOT FOR MANUFACTURING PURPOSES			N/A	0.017 Kg	1:1	C