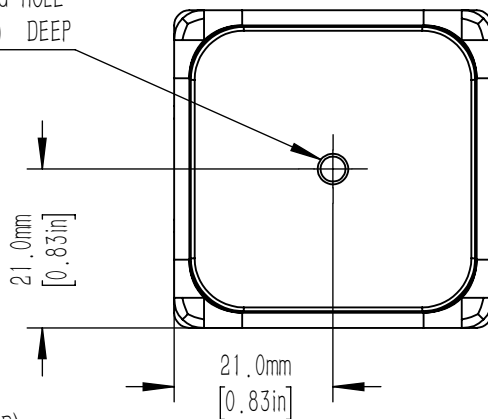


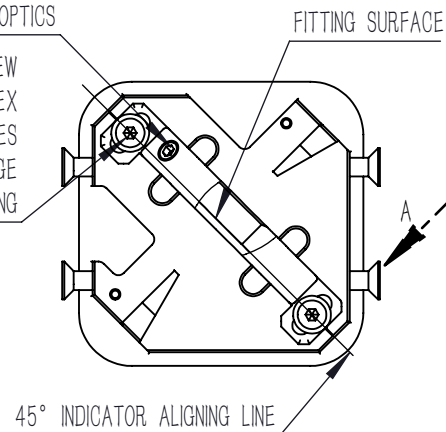
M4x0.7 MOUNTING HOLE
5.5mm (0.22in) DEEP



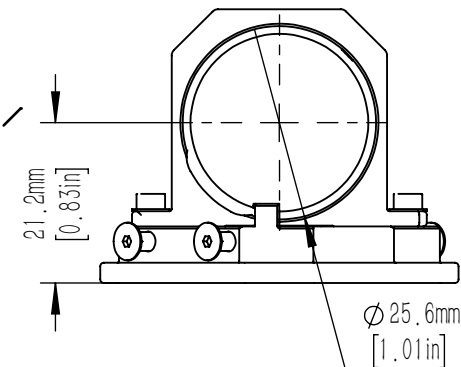
NYLON TIP FOR LOCKING $\varnothing 25.4\text{mm}$
($\varnothing 1\text{in}$) OPTICS, 2mm(0.08in) HEX
TO MOUNT MIN 3mm THICK OPTICS

VIEW WITHOUT CAP

M2 SCREW
1.5mm(0.06in) HEX
2 PLACES
 $\pm 1.5\text{mm}$ MOUNT MOVING RANGE
WHEN SCREW UNLOCKING

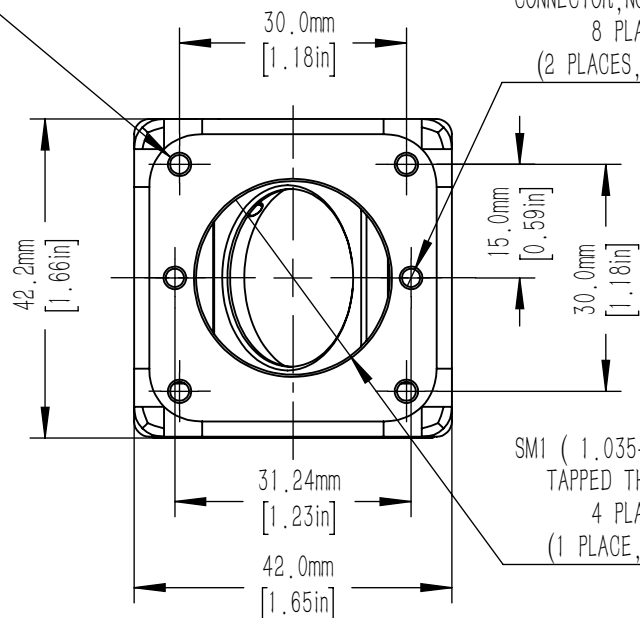
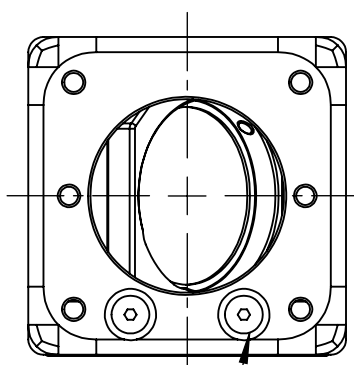


VIEW A
 $\curvearrowright 225.00^\circ$



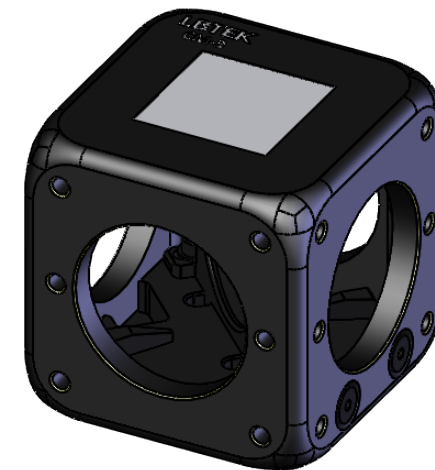
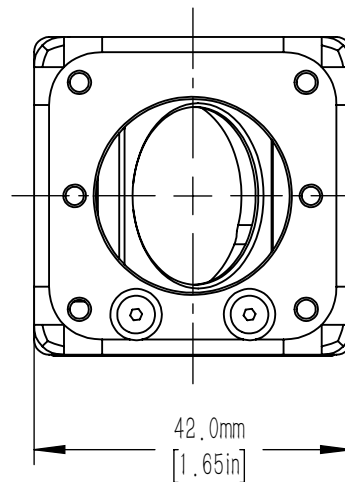
M3x0.5 TAPPED HOLES
4 PLACES, 4 SIDES
FOR USING WITH 6mm
CAGE ASSEMBLY RODS (NOT INCLUDED)

$\varnothing 2.4\text{mm}$
[0.09in]
DOWEL ALIGNMENT HOLES
FOR CMC (CAGE CUBE
CONNECTOR, NOT INCLUDED)
8 PLACES
(2 PLACES, 4 SIDES)

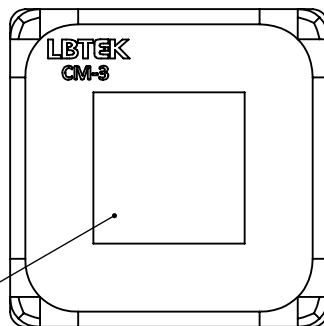


SM1 (1.035-40) SERIES
TAPPED THRU HOLE
4 PLACES
(1 PLACE, 4 SIDES)

M2.5 FLAT HEAD SCREW
1.5mm HEX
4 PLACES
(2 PLACES, 2 SIDES)



WHITE MARKING AREA
FOR WRITING OPTICS INFO



DRAWING PROJECTION			LBTEK			
	NAME	DATE				
DRAWN	ZHE	AUG./6th/20	30mm CAGE CUBE FOR 25.4mm OPTICS 45° ALIGN			
APPROVAL	YCH	AUG./6th/20	MATERIAL	WEIGHT	SCALE	REV
FOR INFORMATION ONLY NOT FOR MANUFACTURING PURPOSES			N/A	0.24 Kg	1:1	D