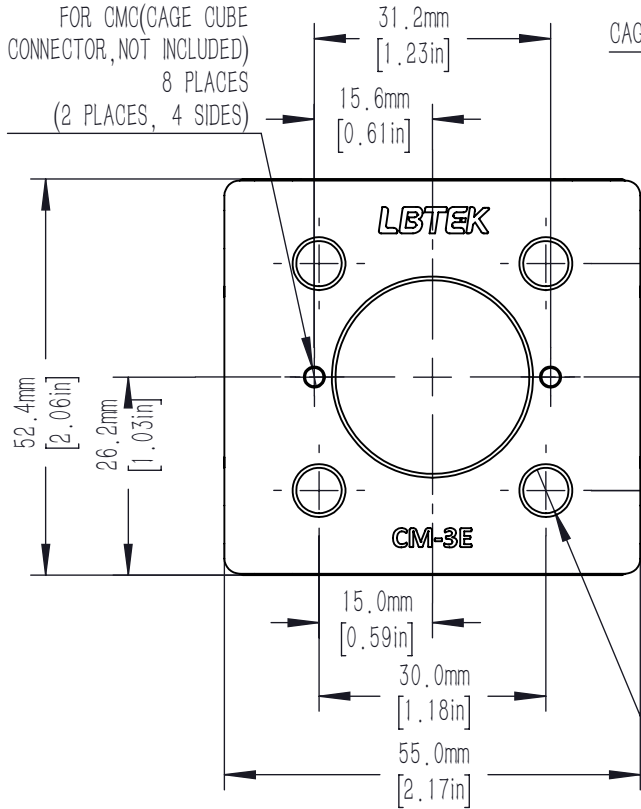
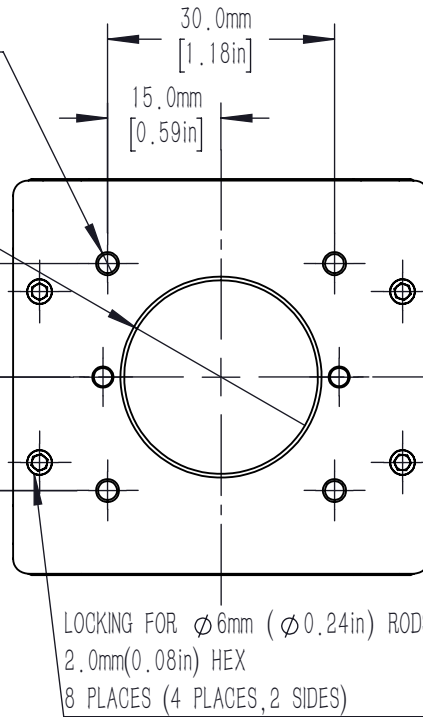


$\varnothing 2.4\text{mmmm}$ ($\varnothing 0.09\text{in}$)
 DOWEL ALIGNMENT HOLES
 FOR CMC(CAGE CUBE
 CONNECTOR, NOT INCLUDED)
 8 PLACES
 (2 PLACES, 4 SIDES)



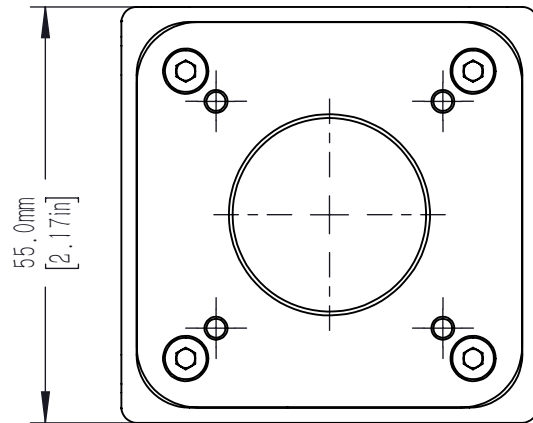
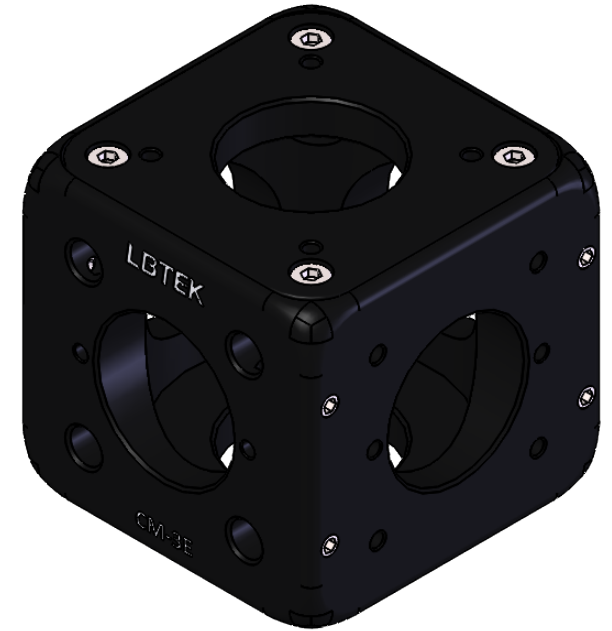
M3x0.5 TAPPED HOLES
 16 PLACES(4 PLACES, 4 SIDES)
 FOR USING WITH $\varnothing 6\text{mm}$
 CAGE ASSEMBLY RODS (NOT INCLUDED)

SM1 ($\varnothing 1.035-40$) SERIES
 TAPPED THRU HOLE
 6 PLACES
 (1 PLACE, 6 SIDES)



$\varnothing 6.0\text{mm}$
 $[0.24\text{in}]$
 FOR USING WITH $\varnothing 6\text{mm}$
 CAGE ASSEMBLY RODS
 8 PLACES
 (4 PLACES, 2 SIDES)

LOCKING FOR $\varnothing 6\text{mm}$ ($\varnothing 0.24\text{in}$) RODS
 2.0mm(0.08in) HEX
 8 PLACES (4 PLACES, 2 SIDES)



DRAWING PROJECTION			LBTEK			
	NAME	DATE				
DRAWN	CZH	JUN./8th/23	30mm CAGE CUBE SET (CM-3E AND TWO SM1 ADAPTER COVER INCLUDED)			
APPROVAL	ZXU	JUN./8th/23	MATERIAL	WEIGHT	SCALE	REV
FOR INFORMATION ONLY NOT FOR MANUFACTURING PURPOSES			N/A	0.205 Kg	1:1	C