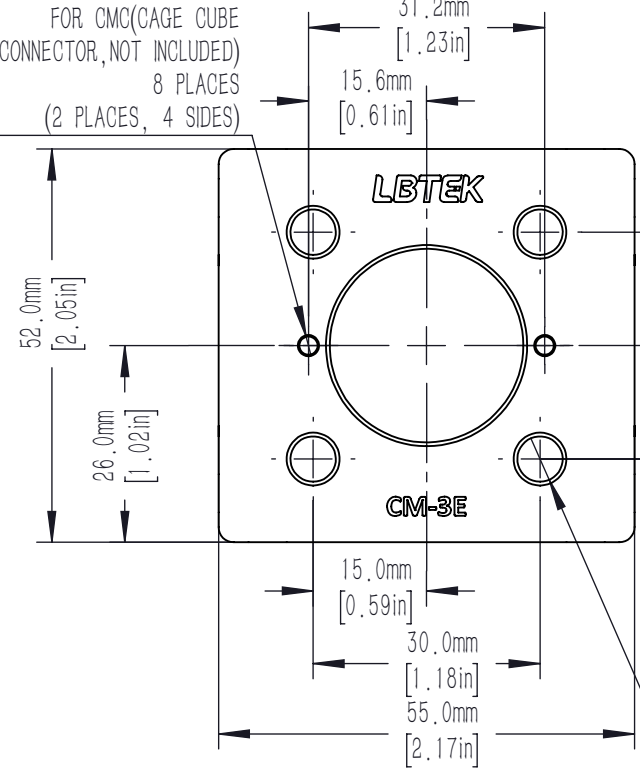
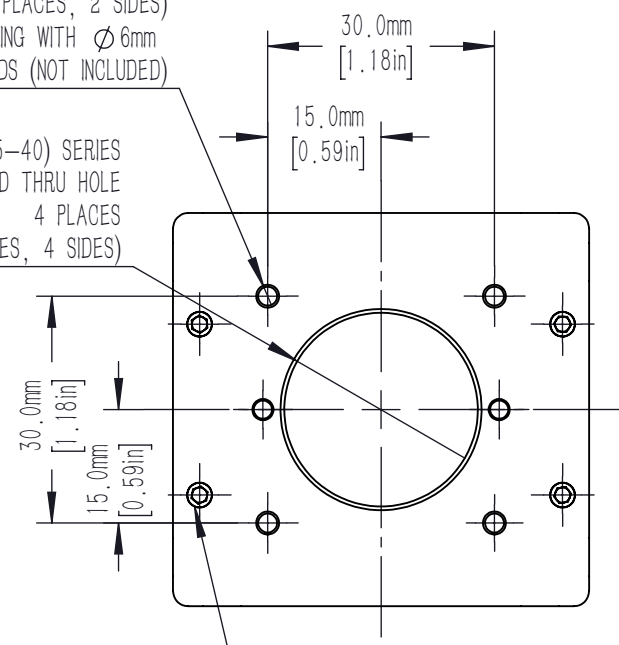


$\phi 2.4\text{mm}$  ( $\phi 0.09\text{in}$ )  
 DOWEL ALIGNMENT HOLES  
 FOR CMC(CAGE CUBE  
 CONNECTOR, NOT INCLUDED)  
 8 PLACES  
 (2 PLACES, 4 SIDES)



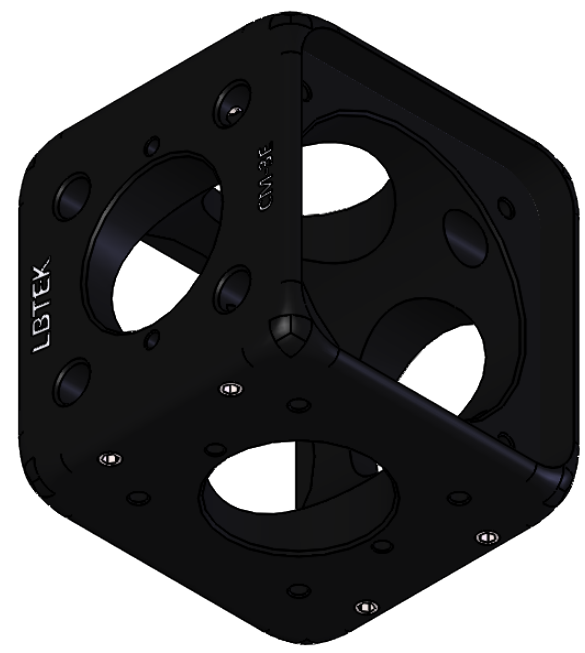
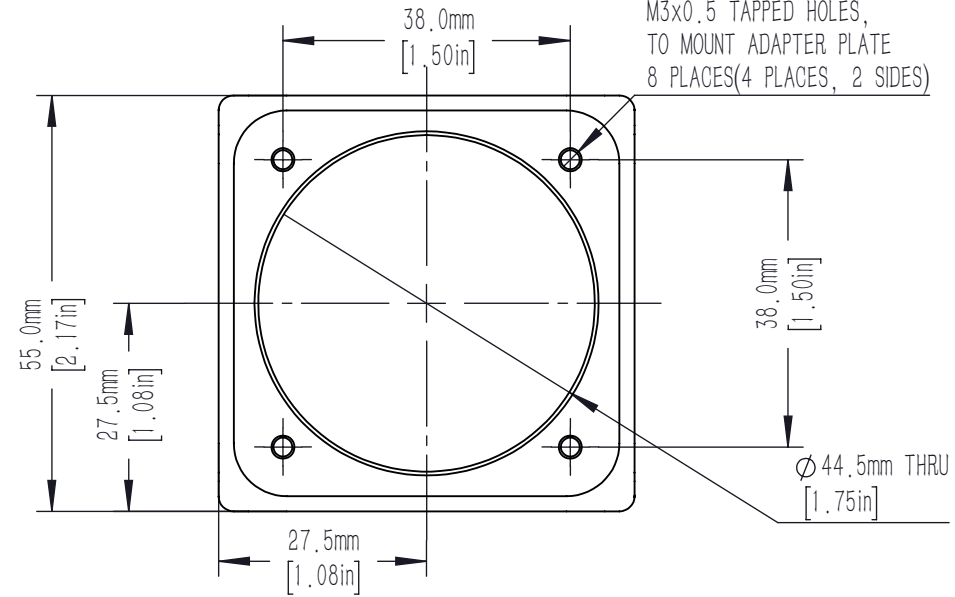
M3x0.5 TAPPED HOLES  
 8 PLACES(4 PLACES, 2 SIDES)  
 FOR USING WITH  $\phi 6\text{mm}$   
 CAGE ASSEMBLY RODS (NOT INCLUDED)

SM1 ( $\phi 1.035-40$ ) SERIES  
 TAPPED THRU HOLE  
 4 PLACES  
 (1 PLACES, 4 SIDES)



LOCKING FOR  $\phi 6\text{mm}$  ( $\phi 0.24\text{in}$ ) RODS  
 2.0mm(0.08in) HEX  
 8 PLACES (4 PLACES, 2 SIDES)

M3x0.5 TAPPED HOLES,  
 TO MOUNT ADAPTER PLATE  
 8 PLACES(4 PLACES, 2 SIDES)



DRAWING PROJECTION			<b>LBTEK</b>			
NAME	DATE	CM-3E				
DRAWN	CZH	JUN./28th/23	30mm CAGE CUBE WITH CAGE CLEARANCE HOLES			
APPROVAL	ZXU	JUN./28th/23	MATERIAL	WEIGHT	SCALE	REV
FOR INFORMATION ONLY NOT FOR MANUFACTURING PURPOSES			N/A	0.13 Kg	1:1	C