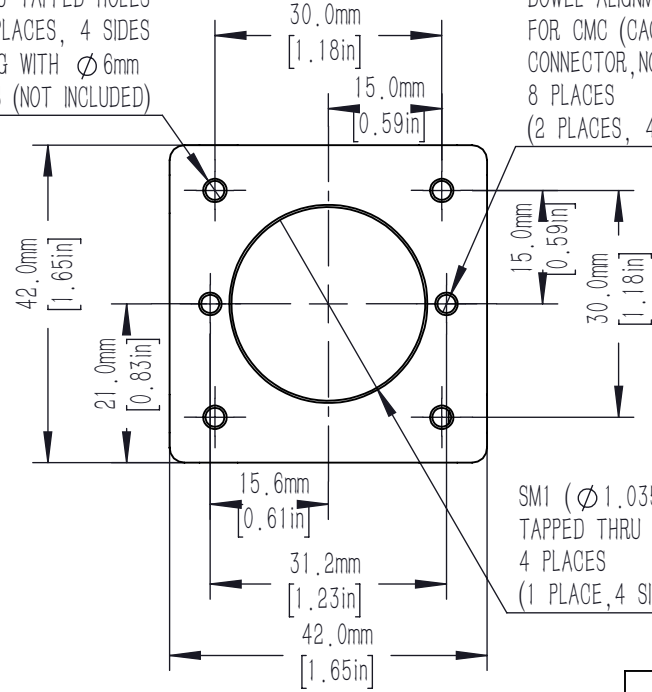
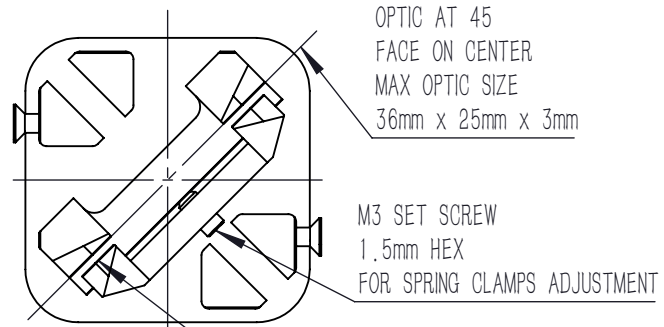
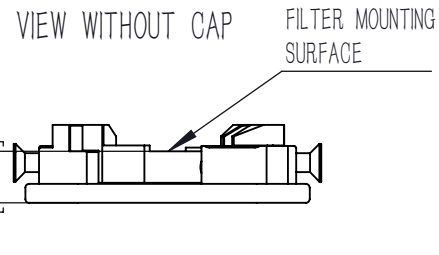
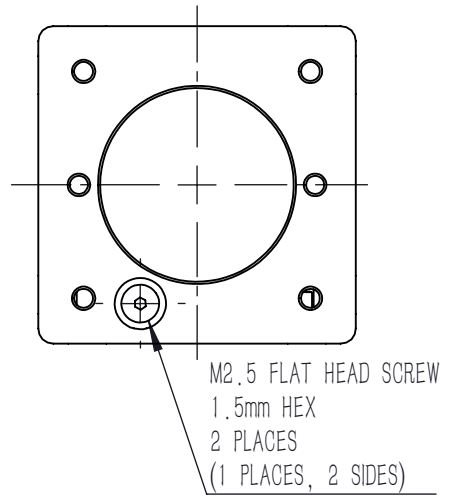


M3x0.5 TAPPED HOLES
4 PLACES, 4 SIDES
FOR USING WITH \varnothing 6mm
CAGE ASSEMBLY RODS (NOT INCLUDED)

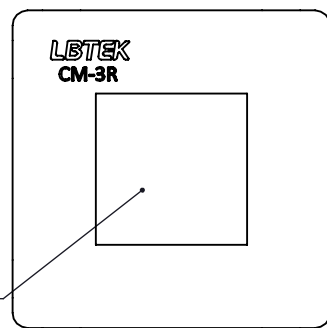
\varnothing 2.4mm (\varnothing 0.09in)
DOWEL ALIGNMENT HOLES
FOR CMC (CAGE CUBE
CONNECTOR, NOT INCLUDED)
8 PLACES
(2 PLACES, 4 SIDES)



SM1 (\varnothing 1.035-40) SERIES
TAPPED THRU HOLE
4 PLACES
(1 PLACE, 4 SIDES)



WHITE MARKING AREA
FOR WRITING OPTICS INFO



DRAWING PROJECTION			LBTEK			
	NAME	DATE				
DRAWN	CZH	MAY./30th/23	30mm CAGE CUBE FOR 36x25 RECTANG OPTICS 45° ALIGN			
APPROVAL	ZXU	MAY./30th/23	MATERIAL	WEIGHT	SCALE	REV
FOR INFORMATION ONLY NOT FOR MANUFACTURING PURPOSES			N/A	0.072 Kg	1:1	C