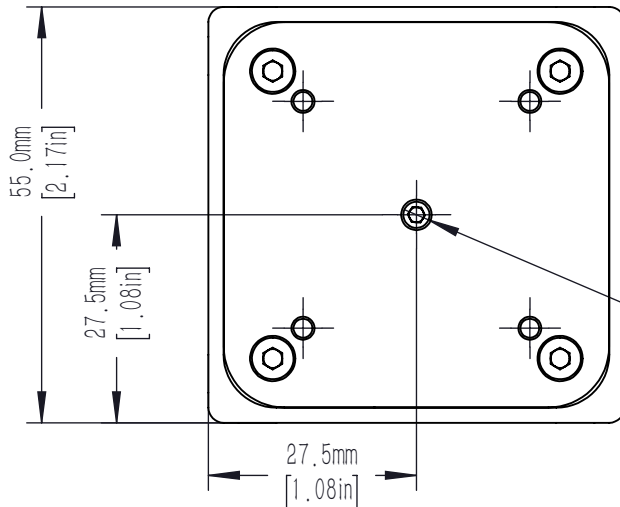
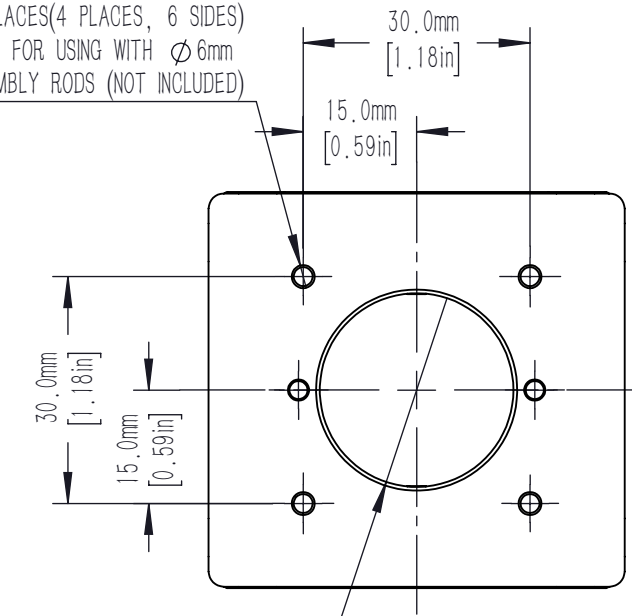
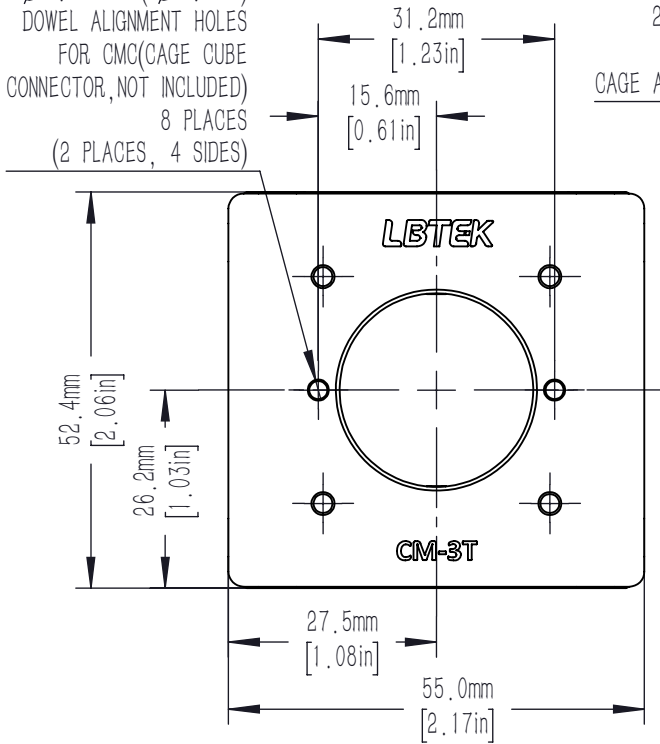


$\varnothing 2.4\text{mm}$  ( $\varnothing 0.09\text{in}$ )  
 DOWEL ALIGNMENT HOLES  
 FOR CMC(CAGE CUBE  
 CONNECTOR, NOT INCLUDED)  
 8 PLACES  
 (2 PLACES, 4 SIDES)

M3x0.5 TAPPED HOLES  
 24 PLACES(4 PLACES, 6 SIDES)  
 FOR USING WITH  $\varnothing 6\text{mm}$   
 CAGE ASSEMBLY RODS (NOT INCLUDED)

SM1 ( $\varnothing 1.035-40$ ) SERIES  
 TAPPED THRU HOLE  
 4 PLACES  
 (1 PLACE, 4 SIDES)

M4x0.7 NYLON TIP, 13.5mm (0.53in) LENGTH  
 2 PLACES (1 PLACE, 2 SIDES)



DRAWING PROJECTION			<b>LBTEK</b>			
NAME	DATE	CM-3T-K1				
DRAWN	CZH	JUN./8th/23	30mm CAGE CUBE SET (CM-3T AND TWO M4 ADAPTER COVER INCLUDED)			
APPROVAL	ZXU	JUN./8th/23	MATERIAL	WEIGHT	SCALE	REV
FOR INFORMATION ONLY NOT FOR MANUFACTURING PURPOSES			N/A	0.226 Kg	1:1	C