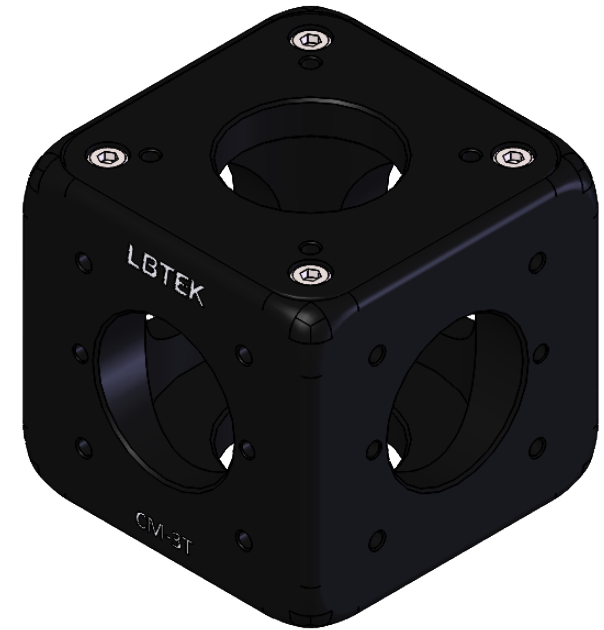
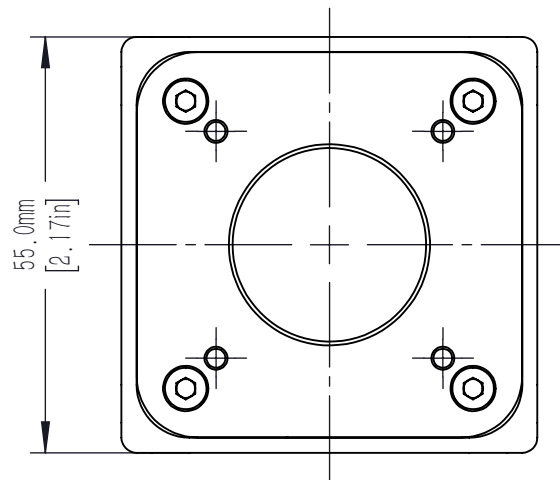
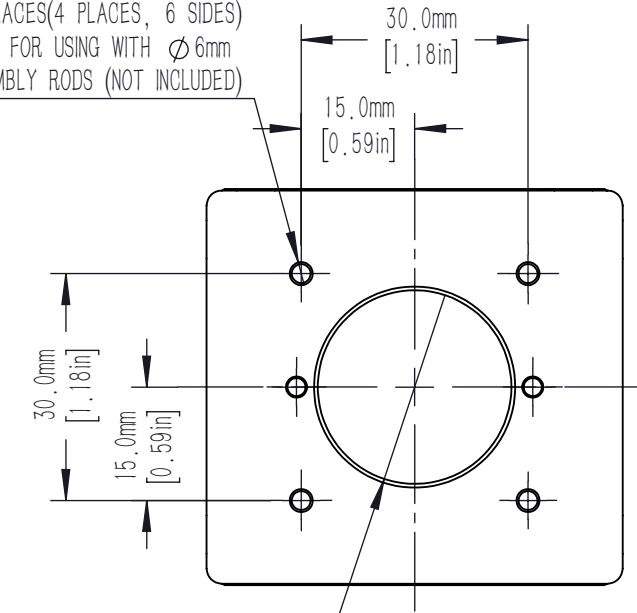
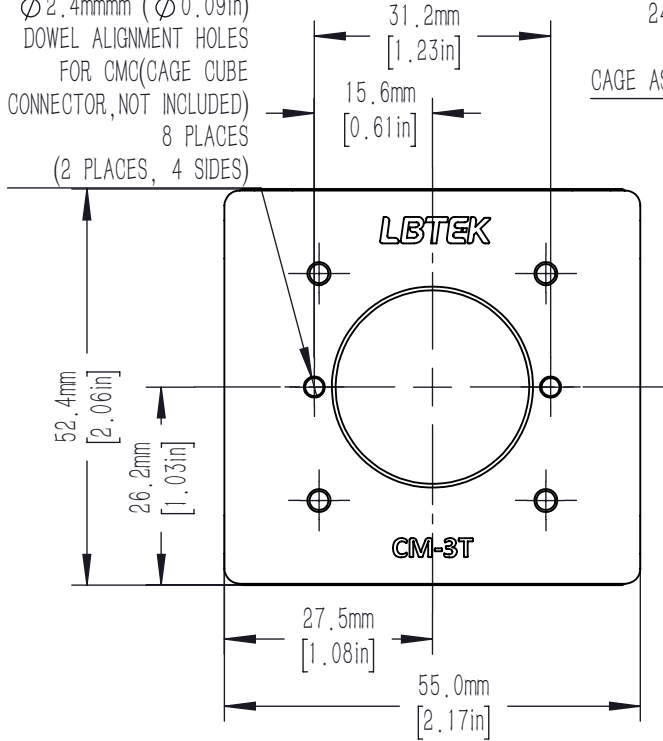


$\varnothing 2.4\text{mmmm}$  ( $\varnothing 0.09\text{in}$ )  
 DOWEL ALIGNMENT HOLES  
 FOR CMC(CAGE CUBE  
 CONNECTOR, NOT INCLUDED)  
 8 PLACES  
 (2 PLACES, 4 SIDES)

M3x0.5 TAPPED HOLES  
 24 PLACES(4 PLACES, 6 SIDES)  
 FOR USING WITH  $\varnothing 6\text{mm}$   
 CAGE ASSEMBLY RODS (NOT INCLUDED)

SM1 ( $\varnothing 1.035-40$ ) SERIES  
 TAPPED THRU HOLE  
 6 PLACES  
 (1 PLACE, 6 SIDES)



|  |      |             |   |          |       |     |
|--|------|-------------|---|----------|-------|-----|
| DRAWING PROJECTION                                     |      |             | <b>LBTEK</b>  |          |       |     |
| NAME   | DATE |             |   |          |       |     |
| DRAWN  | CZH  | JUN./8th/23 | 30mm CAGE CUBE SET (CM-3T AND TWO SM1 ADAPTER COVER INCLUDED) |          |       |     |
| APPROVAL   | ZXU  | JUN./8th/23 | MATERIAL  | WEIGHT   | SCALE | REV |
| FOR INFORMATION ONLY<br>NOT FOR MANUFACTURING PURPOSES |      |             | N/A   | 0.206 Kg | 1:1   | C   |