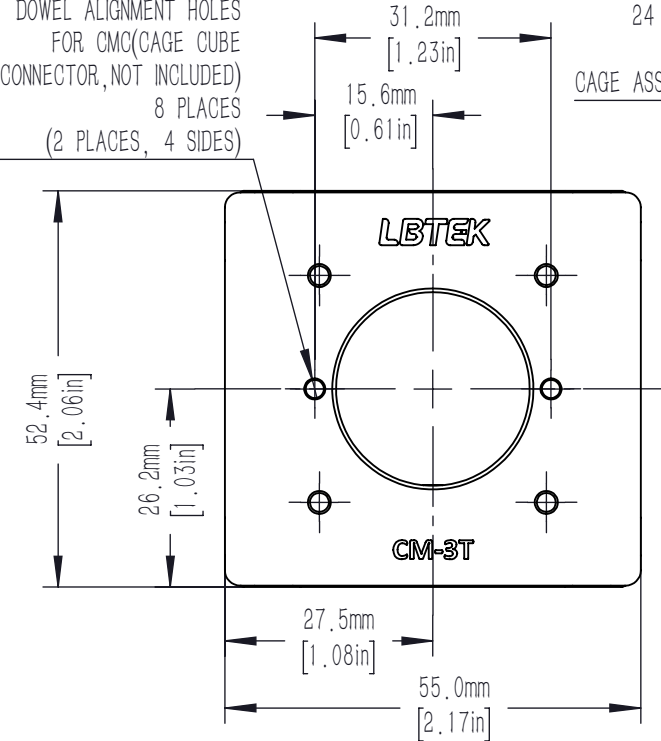
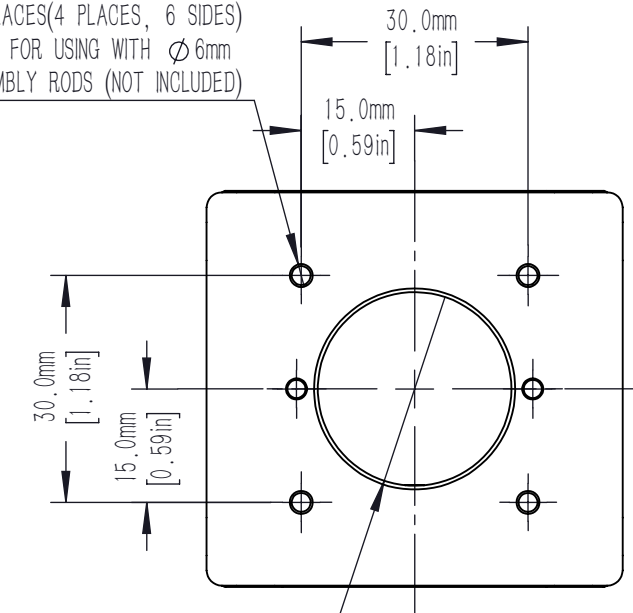


$\varnothing 2.4\text{mm}$ ($\varnothing 0.09\text{in}$)
 DOWEL ALIGNMENT HOLES
 FOR CMC(CAGE CUBE
 CONNECTOR, NOT INCLUDED)
 8 PLACES
 (2 PLACES, 4 SIDES)

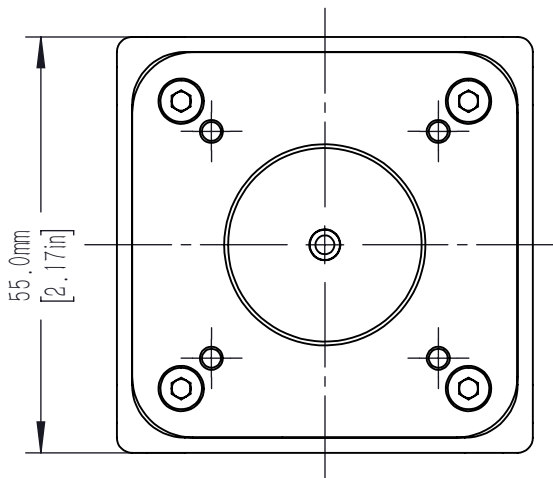


M3x0.5 TAPPED HOLES
 24 PLACES(4 PLACES, 6 SIDES)
 FOR USING WITH $\varnothing 6\text{mm}$
 CAGE ASSEMBLY RODS (NOT INCLUDED)

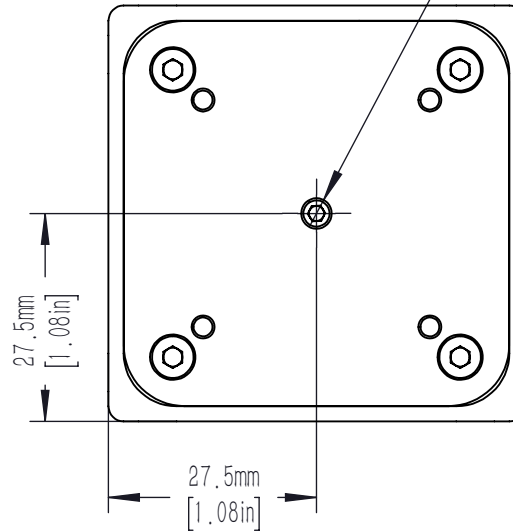


SM1 ($\varnothing 1.035-40$) SERIES
 TAPPED THRU HOLE
 5 PLACES
 (1 PLACE, 5 SIDES)

VIEW A



M4x0.7 NYLON TIP, 13.5mm (0.53in) LENGTH



DRAWING PROJECTION			LBTEK			
	NAME	DATE				
DRAWN	CZH	JUN./8th/23	30mm CAGE CUBE SET (CM-3T, ONE SM1 AND ONE M4 ADAPTER COVER INCLUDED)			
APPROVAL	ZXU	JUN./8th/23	MATERIAL	WEIGHT	SCALE	REV
FOR INFORMATION ONLY NOT FOR MANUFACTURING PURPOSES			N/A	0.216 Kg	1:1	C