

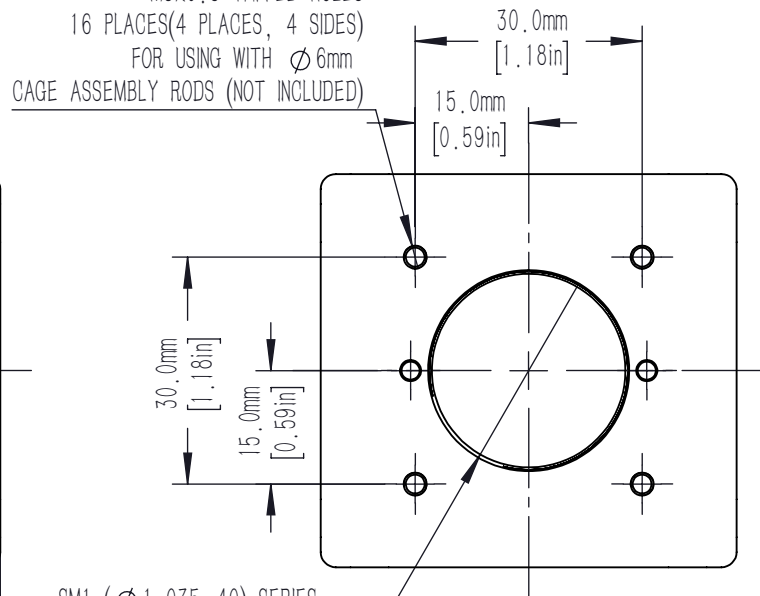
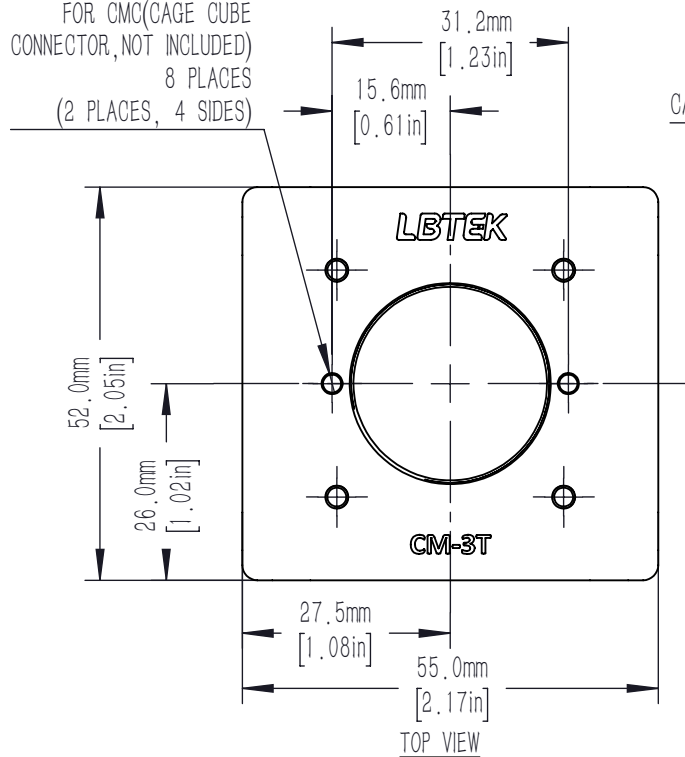
$\phi 2.4\text{mm}$ ($\phi 0.09\text{in}$)
 DOWEL ALIGNMENT HOLES
 FOR CMC(CAGE CUBE
 CONNECTOR, NOT INCLUDED)
 8 PLACES
 (2 PLACES, 4 SIDES)

M3x0.5 TAPPED HOLES
 16 PLACES(4 PLACES, 4 SIDES)
 FOR USING WITH $\phi 6\text{mm}$
 CAGE ASSEMBLY RODS (NOT INCLUDED)

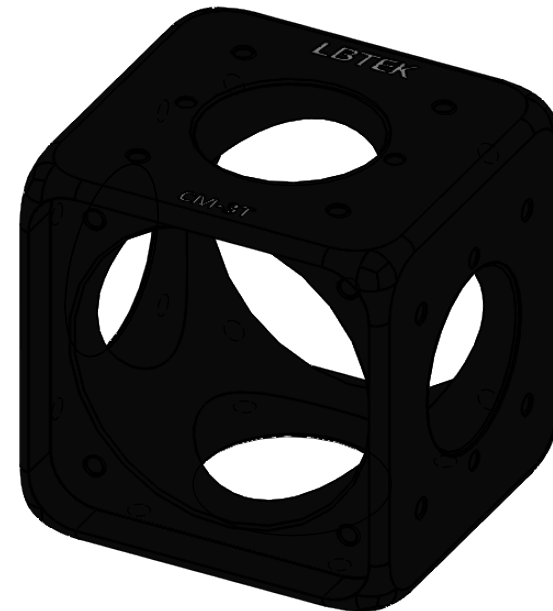
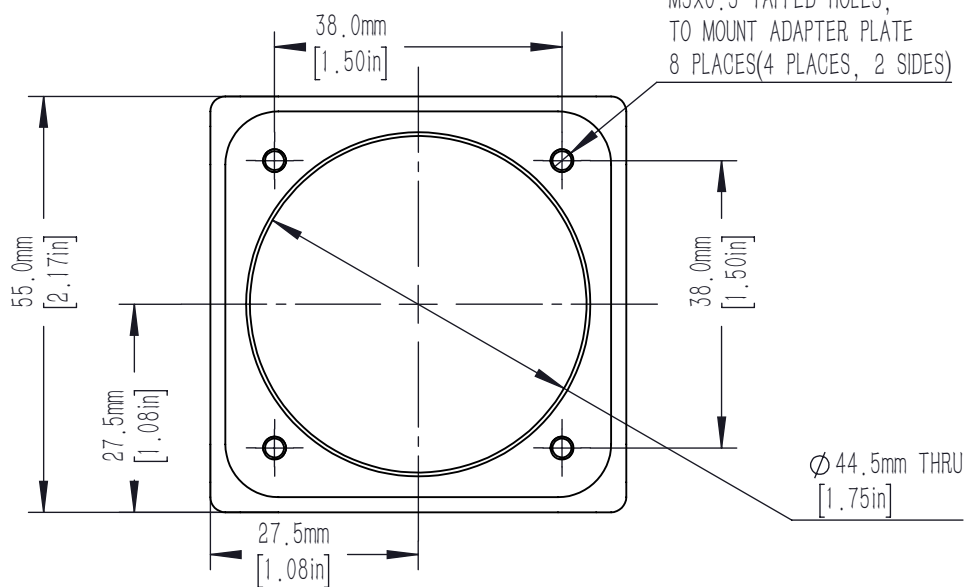
SM1 ($\phi 1.035-40$) SERIES
 TAPPED THRU HOLE
 4 PLACES
 (1 PLACES, 4 SIDES)

M3x0.5 TAPPED HOLES,
 TO MOUNT ADAPTER PLATE
 8 PLACES(4 PLACES, 2 SIDES)

$\phi 44.5\text{mm}$ THRU
 [1.75in]



TYPICAL OF TOP AND BOTTOM VIEWS



DRAWING PROJECTION			LBTEK			
	NAME	DATE	CM-3T			
DRAWN	CZH	JUN./8th/23	30mm CAGE CUBE WITH CAGE TAPPED HOLES			
APPROVAL	ZXU	JUN./8th/23	MATERIAL	WEIGHT	SCALE	REV
FOR INFORMATION ONLY NOT FOR MANUFACTURING PURPOSES			N/A	0.13 Kg	1:1	C