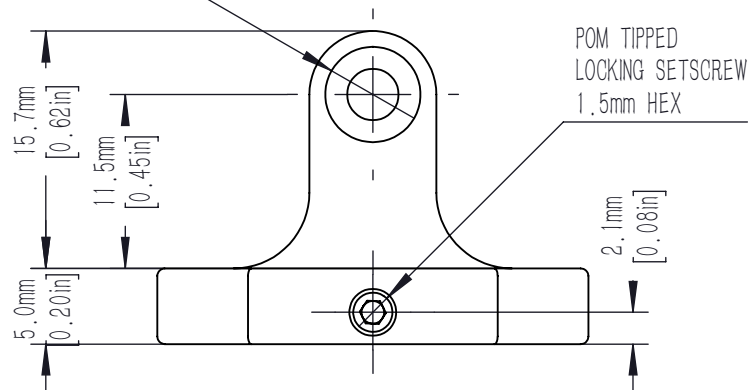


ACCEPTS  $\varnothing 25.4\text{mm}$  [1.00in] OPTICS  
 3.0mm [0.12in] MINIMUM OPTIC THICKNESS  
 23.5mm [0.93in] CLEAR APERTURE

$\varnothing 2.5\text{mm}$  ( $\varnothing 0.10\text{in}$ )  
 DOWEL ALIGNMENT PINS  
 FOR CM-3Bx SERIES PLATFORM  
 2 PLACES

CLEARANCE HOLE FOR USE WITH  
 M3 CAP SCREW



DRAWING PROJECTION			<b>LBTEK</b>			
	NAME	DATE	CM-3TC			
DRAWN	ZHE	SEP./7th/20	CAGE CUBE $\varnothing 1''$ OPTIC MOUNT			
APPROVAL	YCH	SEP./7th/20	MATERIAL	WEIGHT	SCALE	REV
FOR INFORMATION ONLY NOT FOR MANUFACTURING PURPOSES			N/A	0.008 Kg	2:1	B