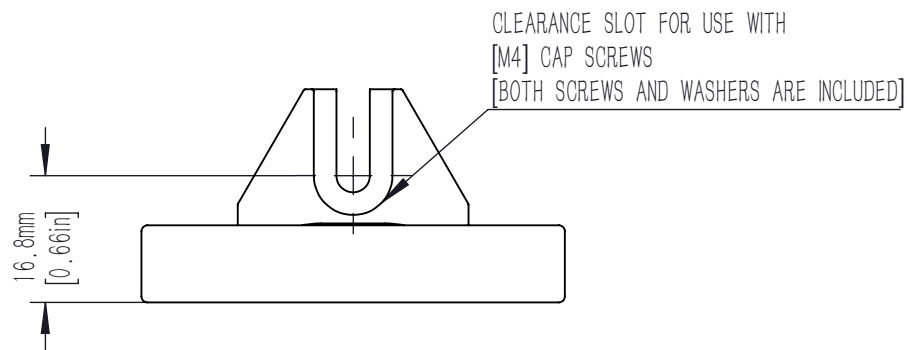
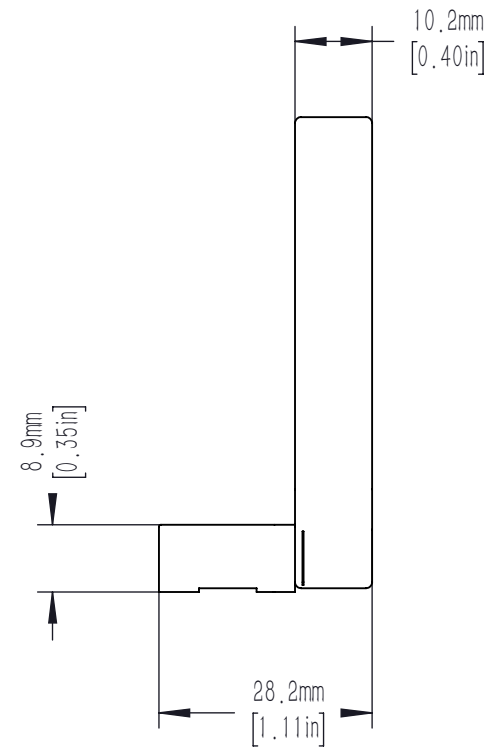


SM2( $\phi$  2.035in-40) SERIES INTERNAL THREAD  
 ACCEPTS  $\phi$  50.8mm[2.00in] MAXIMUM 6.7mm[0.26in] THICK OPTICS  
 1 SM2R RETAINING RING INCLUDED  
 $\phi$  48.3mm [ $\phi$  1.90in] CLEAR APERTUR



|  |      |              |                                |          |       |     |
|--|------|--------------|--------------------------------|----------|-------|-----|
| DRAWING PROJECTION                                     |      |              | <b>LBTEK</b>                   |          |       |     |
|  | NAME | DATE         | CM-6B4C                        |          |       |     |
| DRAWN  | CZH  | MAR./30th/24 | OPTIC MOUNT FOR 60mm CAGE CUBE |          |       |     |
| APPROVAL   | HDE  | MAR./30th/24 | MATERIAL                       | WEIGHT   | SCALE | REV |
| FOR INFORMATION ONLY<br>NOT FOR MANUFACTURING PURPOSES |      |              | N/A                            | 0.025 Kg | 1:1   | A   |