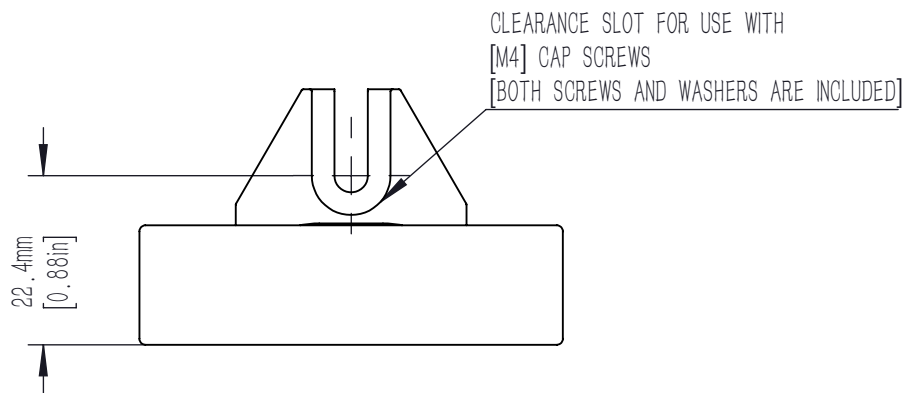
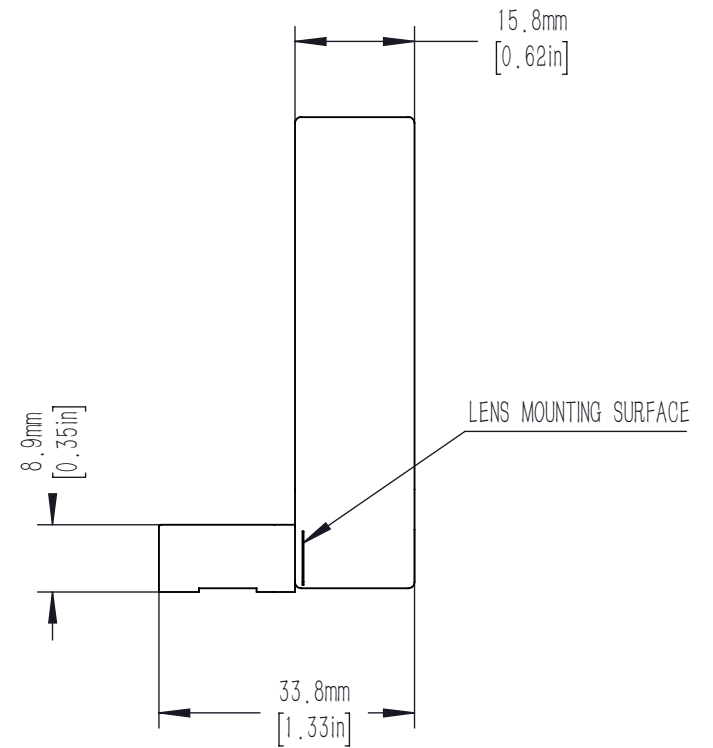


SM2(ϕ 2.035in-40) SERIES INTERNAL THREAD
 ACCEPTS ϕ 50.8mm[2.00in] MAXIMUM 12.3mm[0.26in] THICK OPTICS
 1 SM2R RETAINING RING INCLUDED
 ϕ 48.3mm [ϕ 1.90in] CLEAR APERTURE



DRAWING PROJECTION			LBTEK			
	NAME	DATE				
DRAWN	CZH	MAR./30th/24	OPTIC MOUNT FOR 60mm CAGE CUBE			
APPROVAL	HDE	MAR./30th/24	MATERIAL	WEIGHT	SCALE	REV
FOR INFORMATION ONLY NOT FOR MANUFACTURING PURPOSES			N/A	0.034 Kg	1:1	A