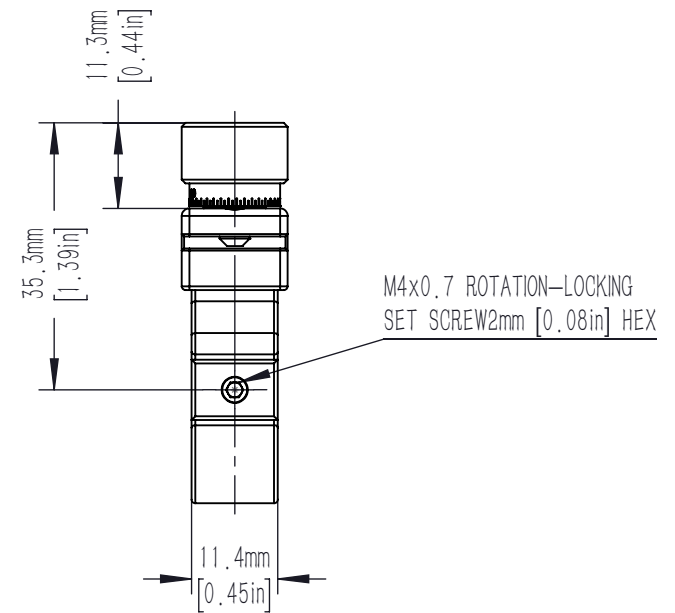
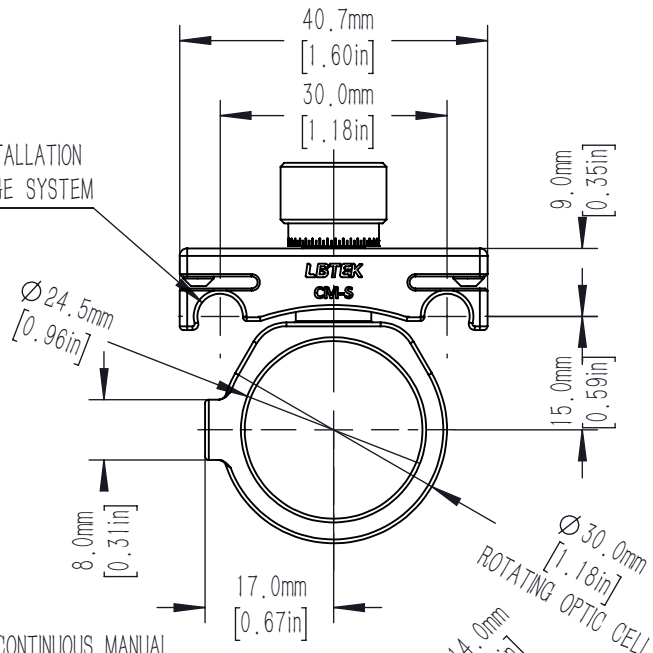
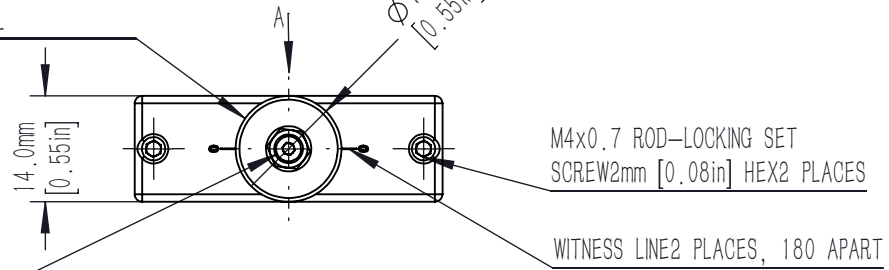


TABS ALLOW FOR SNAP ON/INSTALLATION  
/ REMOVAL WITHIN 30mm CAGE SYSTEM

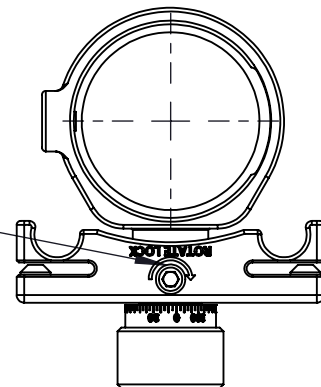


KNURLED THUMBSCREW PROVIDES 360 CONTINUOUS MANUAL  
ROTATION OF 25.4mm [1.00in] OPTIC CELL



5.0mm HEX SOCKET

M4x0.7 ROTATION-LOCKING  
SET SCREW 2mm [0.08in] HEX



DRAWING PROJECTION			<b>LBTEK</b>			
	NAME	DATE				
DRAWN	YWE	MAY./29th/23	30mm CAGE MOUNT ROTATABLE LENS CELL			
APPROVAL	ZXU	MAY./29th/23	MATERIAL	WEIGHT	SCALE	REV
FOR INFORMATION ONLY NOT FOR MANUFACTURING PURPOSES			N/A	0.02 Kg	1:1	B