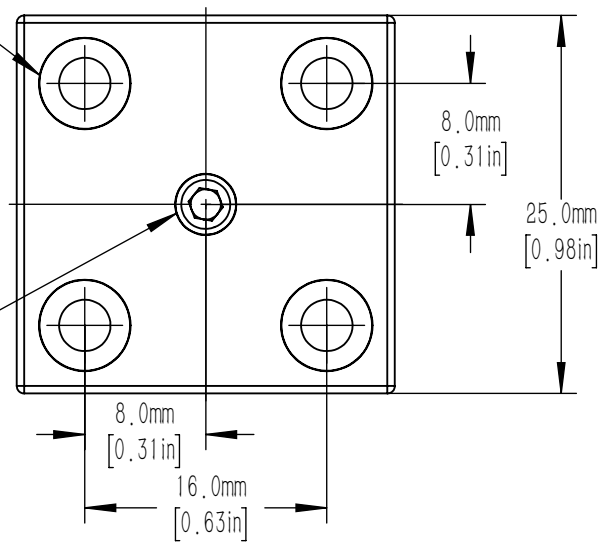


COUNTERBORE FOR
M4 CAP SCREW
4 PLACES

M4 RUBBER HEAD SCREW
2.0 HEX



DRAWING PROJECTION			LBTEK			
NAME	DATE	CM05-B				
DRAWN	HDE	Jul./21th/23	16.0mm CUBE CLAMP			
APPROVAL	ZXU	Jul./21th/23	MATERIAL	WEIGHT	SCALE	REV
FOR INFORMATION ONLY NOT FOR MANUFACTURING PURPOSES			N/A	0.010 Kg	2:1	B