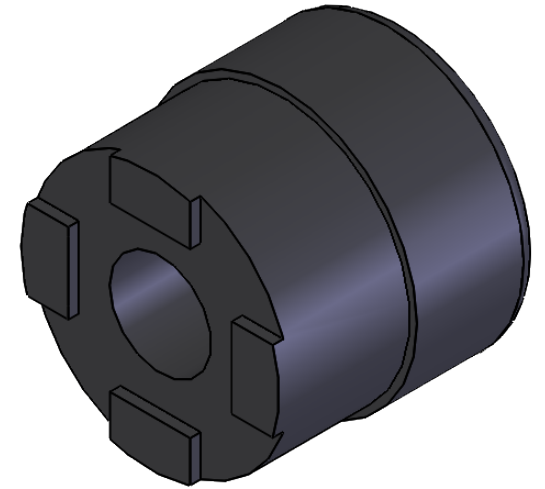
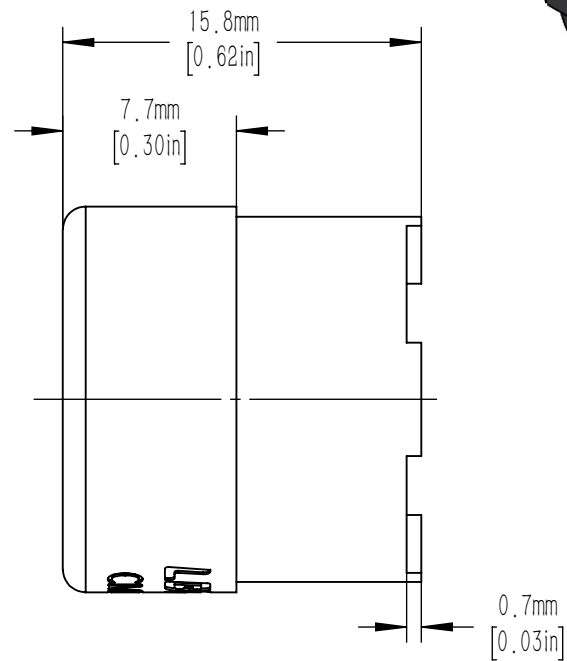


FOR USE WITH 10.0mm SQUARE OPTICS



DRAWING PROJECTION			LBTEK			
	NAME	DATE				
DRAWN	HDE	Jul./21th/23	COMPACT CAGE PRISM MOUNT			
APPROVAL	ZXU	Jul./21th/23	MATERIAL	WEIGHT	SCALE	REV
FOR INFORMATION ONLY NOT FOR MANUFACTURING PURPOSES			N/A	0.008 Kg	3:1	B