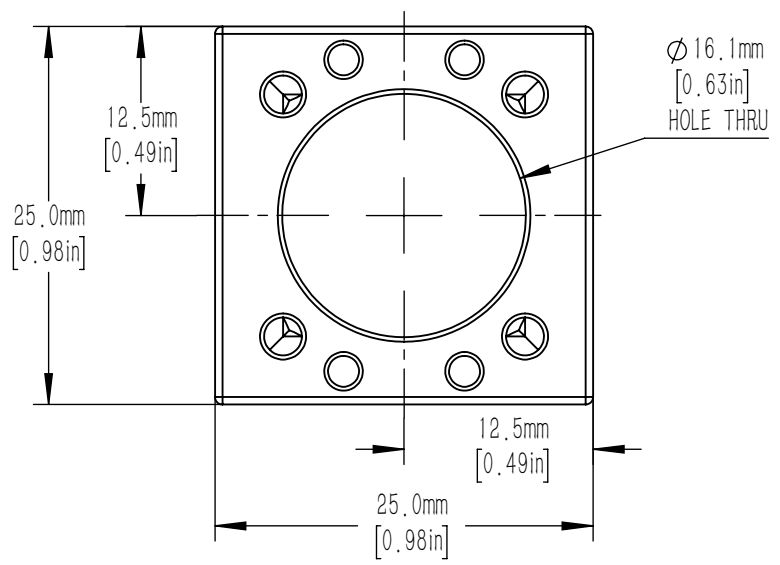
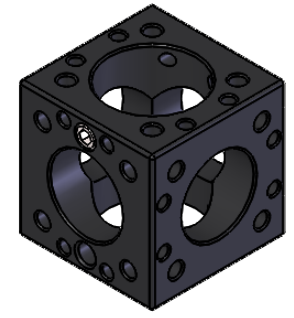


SM05 (0.535-40) SERIES
INTERNAL THREAD THRU
4 SIDES



DRAWING PROJECTION			LBTEK			
	NAME	DATE				
DRAWN	HDE	Jul./21th/23	16mm COAXIAL CUBE			
APPROVAL	ZXU	Jul./21th/23	MATERIAL	WEIGHT	SCALE	REV
FOR INFORMATION ONLY NOT FOR MANUFACTURING PURPOSES			N/A	0.018 Kg	2:1	B