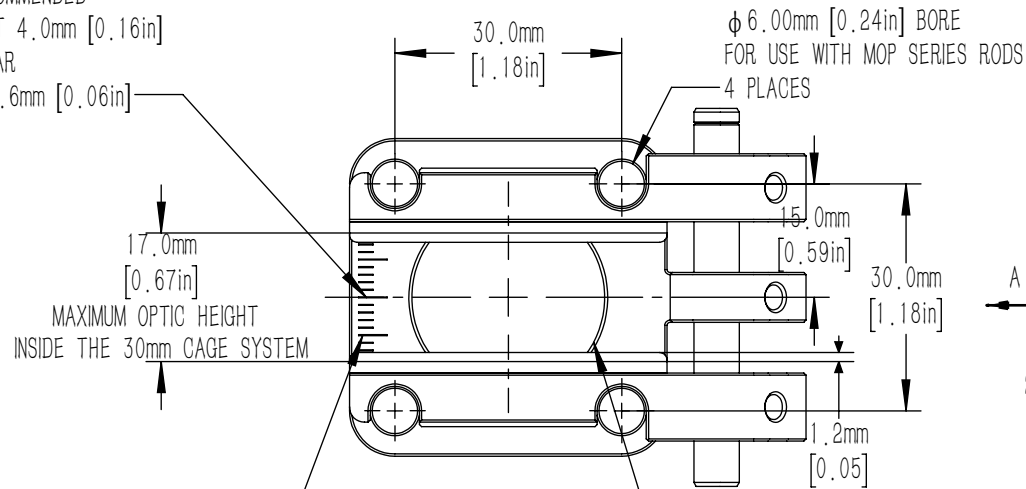
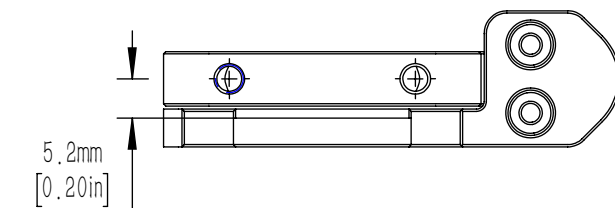


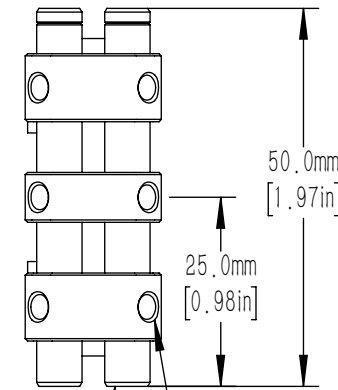
MINIMUM RECOMMENDED  
OPTIC HEIGHT 4.0mm [0.16in]  
MINIMUM CLEAR  
APERTURE 1.6mm [0.06in]



GRADUATIONS TO AID ALIGNMENT  
SHORT LINES EVERY 1mm  
LONG LINES EVERY 5mm  
BOTH SIDES



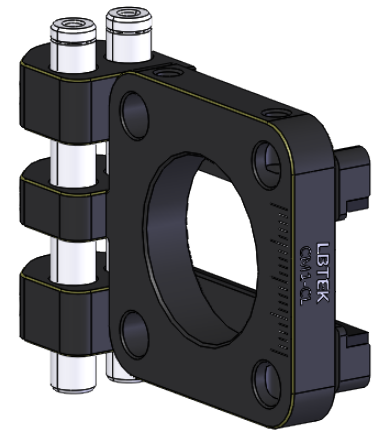
VIEW A



A

2 PCS MOP-50 (INCLUDED)

M4 LOCKING SCREW (INCLUDED)  
FOR SECURING AND  
ADJUSTING OPTIC  
2 mm [0.050in] HEX  
6 PLACES



- 1) MOUNTING ARMS MAY BE REMOVED, AND POSITIONED ON EITHER SIDE OF THE CAGE PLATE AS NEEDED WITHOUT CHANGING THE ORIENTATION OF THE CAGE PLATE.
- 2) LARGER OPTICS MAY BE MOUNTED OUTSIDE OF THE CAGE SYSTEM WITH THE USE OF LONGER ER SERIES RODS (NOT INCLUDED).

DRAWING PROJECTION			<b>LBTEK</b>			
NAME	DATE	CM1-CL				
DRAWN	HDE	Dec./17th/21	30mm coaxial system column lens mounting mount			
APPROVAL	ZXU	Dec./17th/21	MATERIAL	WEIGHT	SCALE	REV
FOR INFORMATION ONLY NOT FOR MANUFACTURING PURPOSES			N/A	0.050 Kg	1:1	B