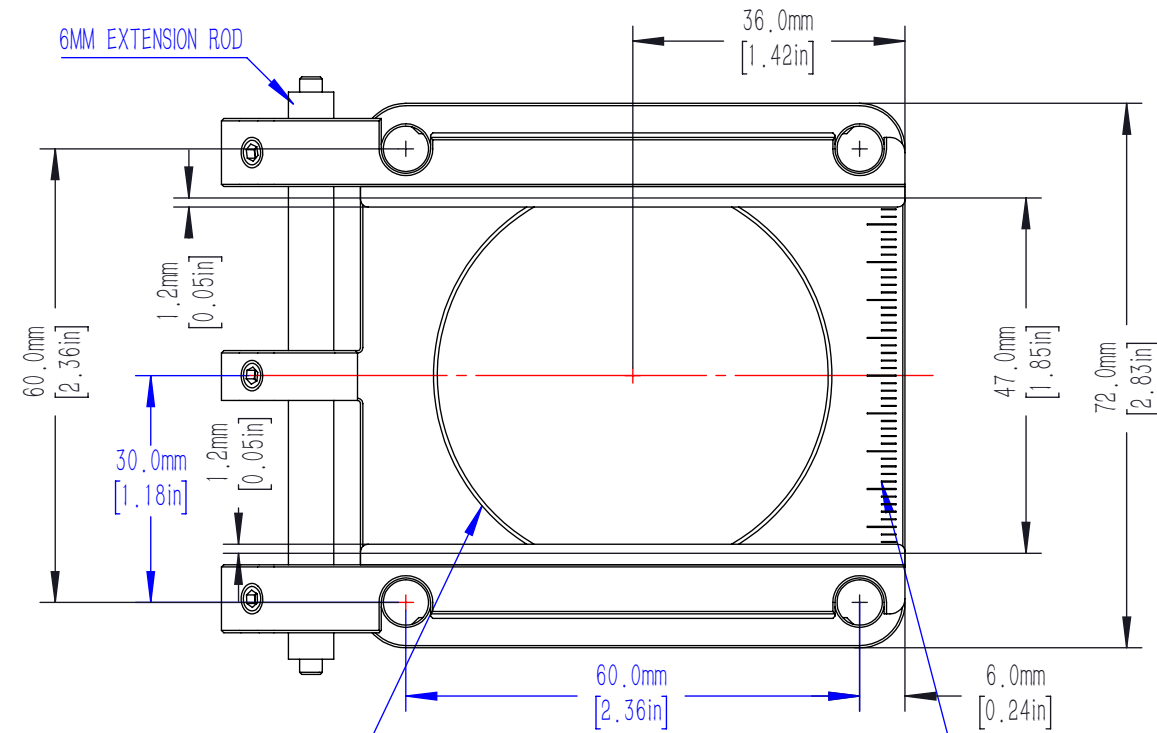


M4 MOUNTING HOLES

34.0mm
[1.34in]

M4x0.7 ROD-LOCKING SET SCREW
2.0mm [0.08in] HEX
6 PLACES



6MM EXTENSION ROD

36.0mm
[1.42in]

60.0mm
[2.36in]

30.0mm
[1.18in]

47.0mm
[1.85in]

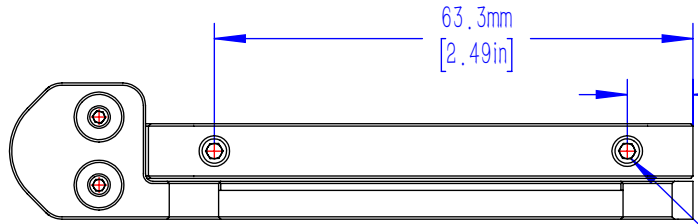
72.0mm
[2.83in]

60.0mm
[2.36in]

6.0mm
[0.24in]

SM2 (INT 2.035"-40, UNS-2B)

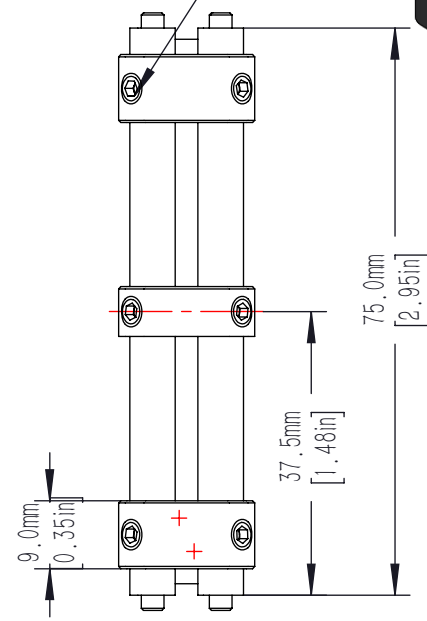
ALIGN SCALE, EVERY 1MM SHORT LINE,
EVERY 5MM LONG LINE, 50MM IN TOTAL



63.3mm
[2.49in]

8.7mm
[0.34in]

M4x0.7 ROD-LOCKING SET SCREW
2.0mm [0.08in] HEX
4 PLACES



75.0mm
[2.95in]

37.5mm
[1.48in]

9.0mm
[0.35in]



1. THE SLIDING ARM CAN BE POSITIONED ON THE CONNECTING ROD AS REQUIRED WITHOUT CHANGING THE DIRECTION OF THE COAXIAL PLATE;
2. LARGER OPTICAL COMPONENTS CAN BE MOUNTED OUTSIDE THE COAXIAL SYSTEM USING LONGER MOUNTING ADAPTORS.

DRAWING PROJECTION			LBTEK			
NAME	DATE	CM2-CL				
DRAWN	CZH	JUN/27th/23	60 MM MOUNT FOR CYLINDRICAL LENSES OR RECTANGULAR OPTICAL ELEMENT OF COAXIAL SYSTEM			
APPROVAL	ZXU	JUN/27th/23	MATERIAL	WEIGHT	SCALE	REV
FOR INFORMATION ONLY NOT FOR MANUFACTURING PURPOSES			N/A	0.120 Kg	1:1	C