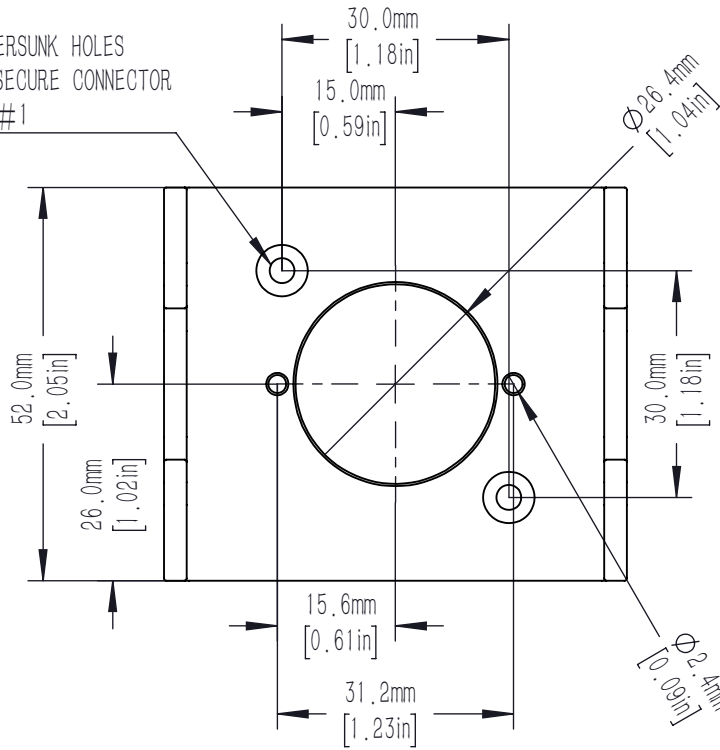
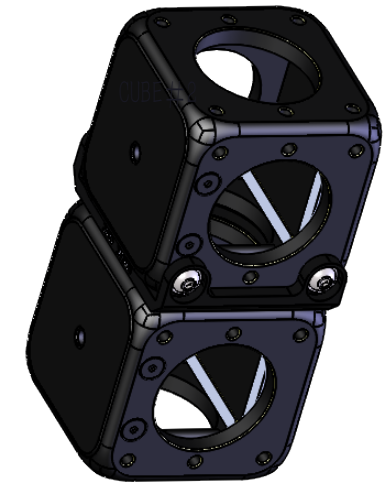
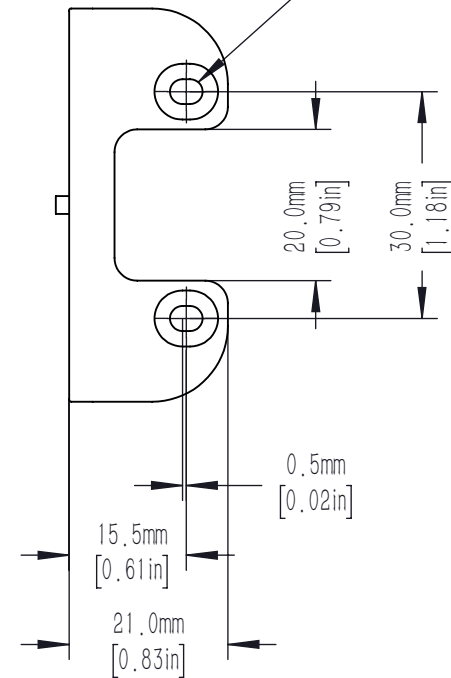


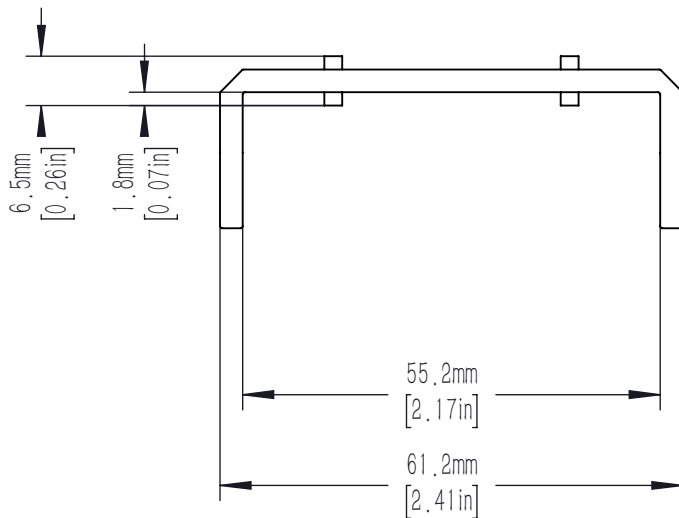
M3 COUNTERSUNK HOLES
USED TO SECURE CONNECTOR
TO CUBE #1



M3 COUNTER BORED SLOTS
USED TO SECURE CONNECTOR
TO CUBE #2



APPLICATION EXAMPLE



- MOUNTING COMPONENTS INCLUDED:
- 1. 2 COUNTERSUNK SCREWS (M3x6)
 - 2. 4 BUTTON HEAD SCREWS (M3x5)
 - 3. 4 WASHERS FOR M3 HEAD SCREWS

| | | | | | | | |
|--|-----|-------------|--|--------------------------|----------|-------|-----|
| DRAWING PROJECTION | | | | | | | |
| | | | | | | | |
| DRAWN | ZZH | DEC./1th/23 | | 30mm CAGE CUBE CONNECTOR | | | |
| APPROVAL | HDE | DEC./1th/23 | | MATERIAL | WEIGHT | SCALE | REV |
| FOR INFORMATION ONLY NOT FOR MANUFACTURING PURPOSES | | | | N/A | 0.028 Kg | 1:1 | B |