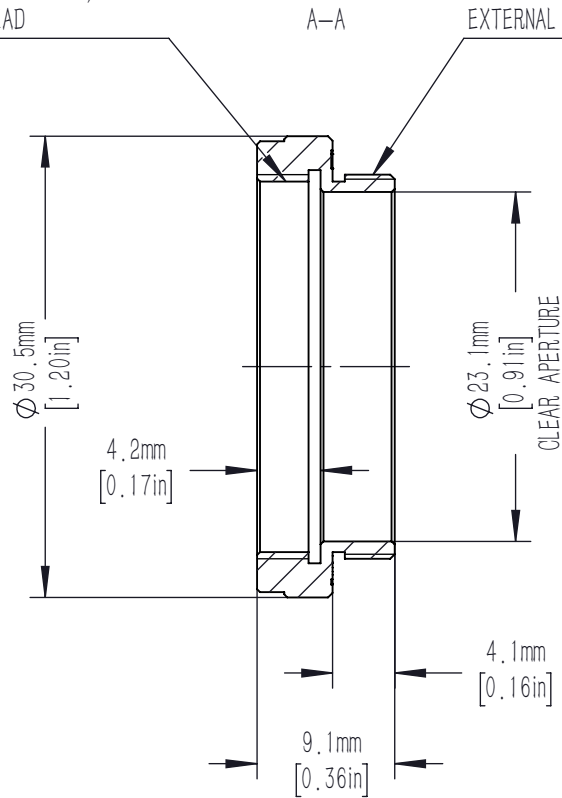


C-MOUNT (Ø 1.0in-32) SERIES
INTERNAL THREAD

C-MOUNT (Ø 1.0in-32) SERIES
EXTERNAL THREAD



DRAWING PROJECTION			LBTEK			
	NAME	DATE				
DRAWN	BJU	APR./28th/22	EXTERNAL C THREAD TO INTERNAL C THREAD ADAPTER			
APPROVAL	ZXU	APR./28th/22	MATERIAL	WEIGHT	SCALE	REV
FOR INFORMATION ONLY NOT FOR MANUFACTURING PURPOSES			ALUMINIUM	0.004 Kg	2:1	B