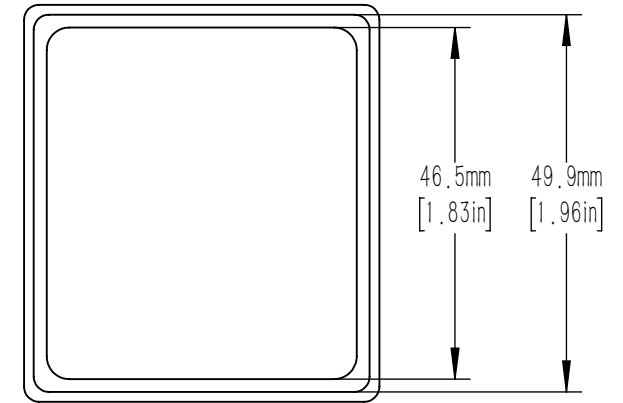
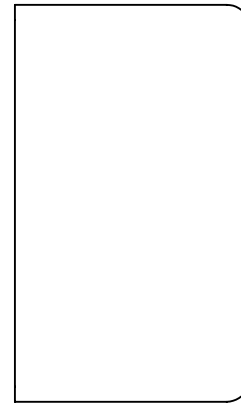
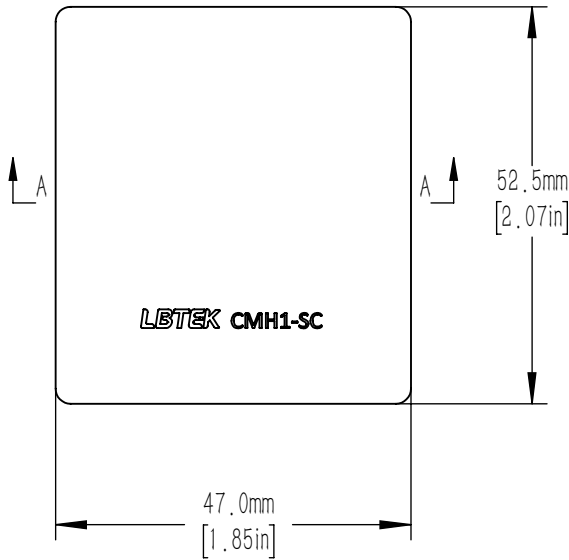
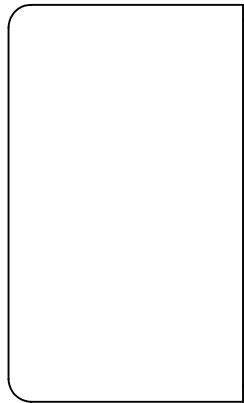
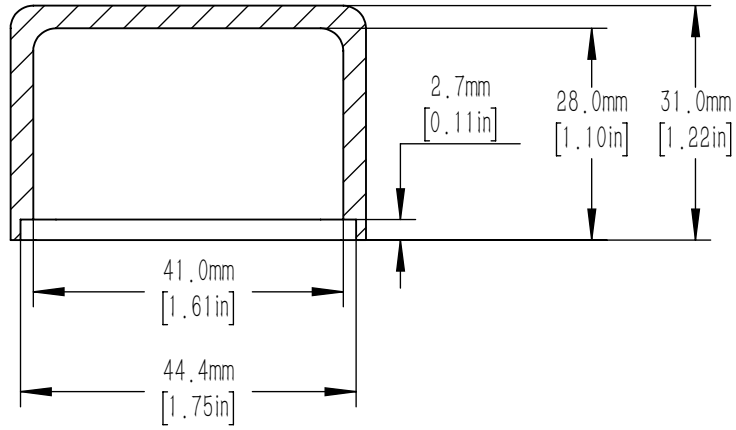


A-A



| | | | | | | |
|--|------|--------------|--------------------|----------|-------|-----|
| DRAWING PROJECTION | | | LBTEK | | | |
| | | | | | | |
| | NAME | DATE | CMH1-SC | | | |
| DRAWN | HDE | Jun./13th/22 | TOP COVER FOR CMH1 | | | |
| APPROVAL | ZXU | Jun./13th/22 | MATERIAL | WEIGHT | SCALE | REV |
| FOR INFORMATION ONLY NOT FOR MANUFACTURING PURPOSES | | | POLYSTYRENE | 0.060 Kg | 1:1 | B |