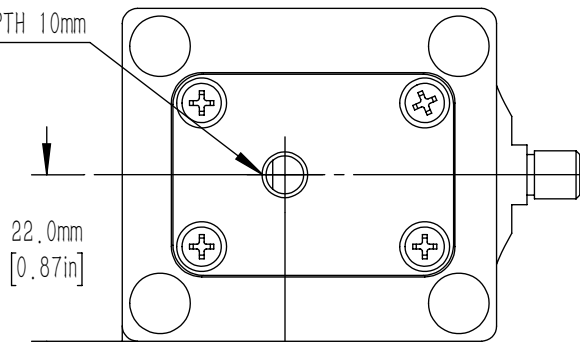
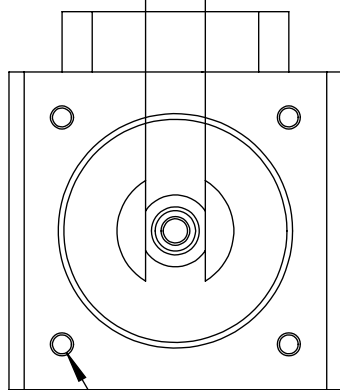


THREAD M6
max. SCREW DEPTH 10mm



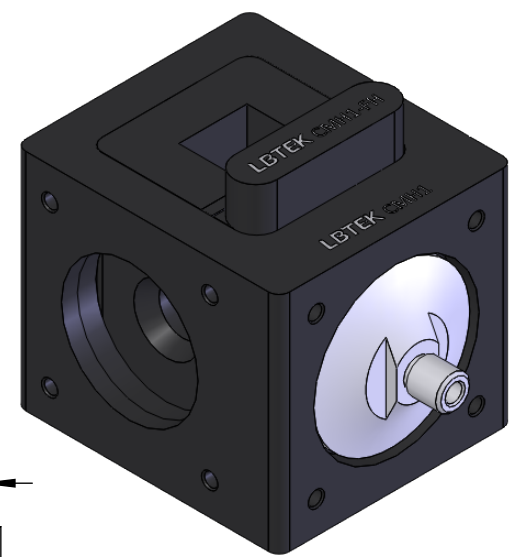
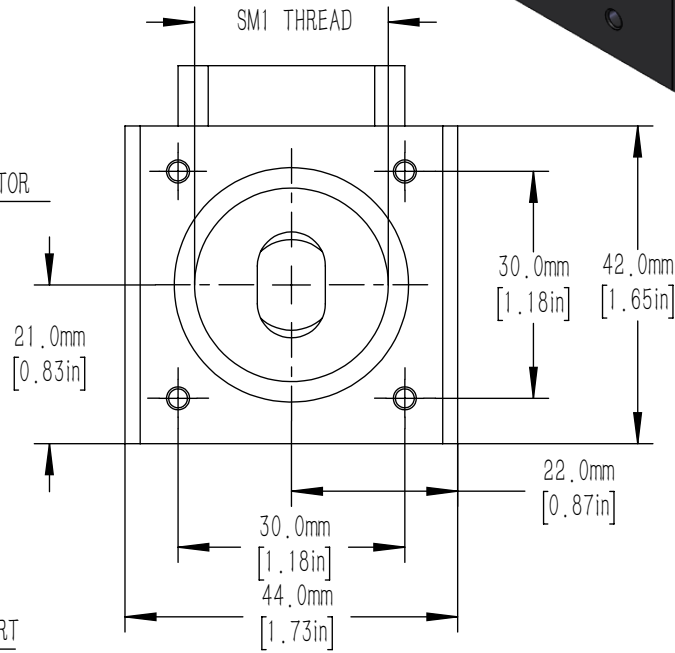
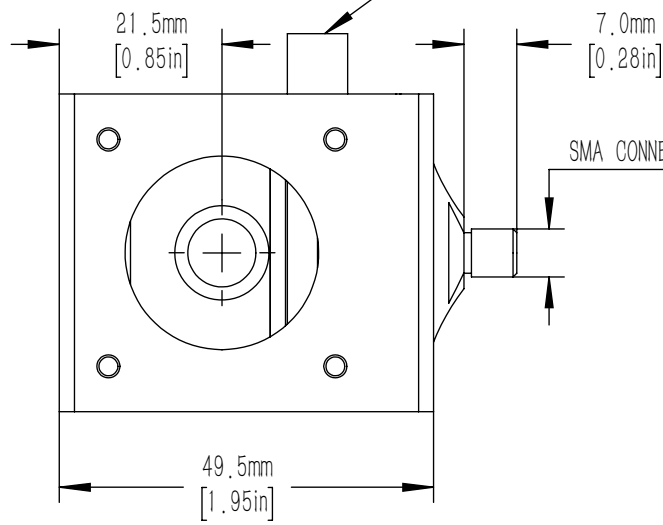
7.9mm
[0.31in]
for spanner
wrench 5/16
(SW 8mm)



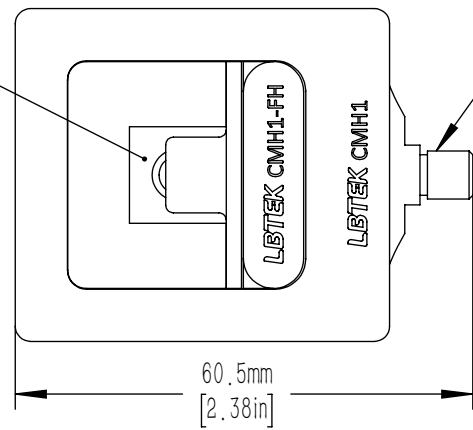
M3
4 POS. ON 4 SIDES

21.5mm
[0.85in]

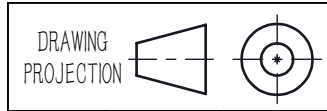
φ 1 FILTER HOLDER



PLACEMENT OF CUVETTE



REMOVABLE
SM1 FIBER PORT



DRAWN	HDE	Jun./13th/22
APPROVAL	ZXU	Jun./13th/22

LBTEK		
CMH1		
CUVETTE MOUNTING RACK		
MATERIAL	WEIGHT	SCALE
N/A	0.179 Kg	1:1

FOR INFORMATION ONLY
NOT FOR MANUFACTURING PURPOSES

REV	B
-----	---