



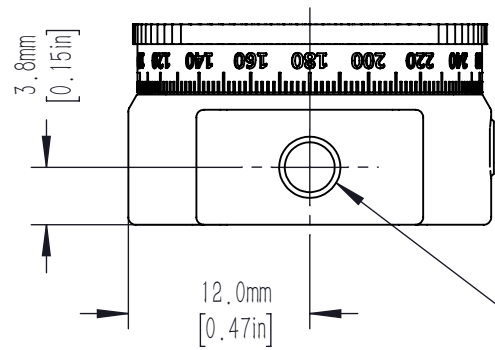
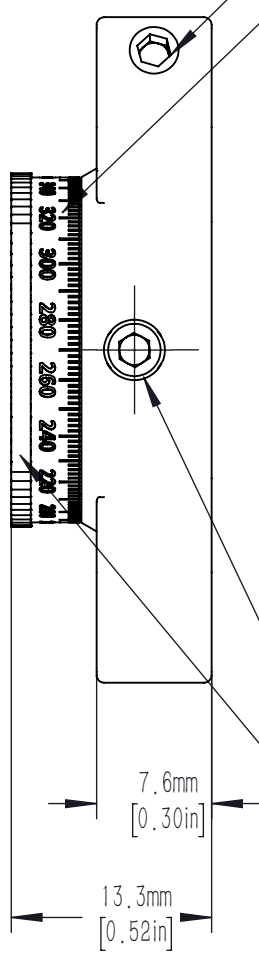
LOCKING FOR $\phi 6\text{mm}$ ($\phi 0.24\text{in}$) RODS
 2.0mm (0.08in) HEX

ENGRAVED NUMERIC PER 20°
 2° RESOLUTION

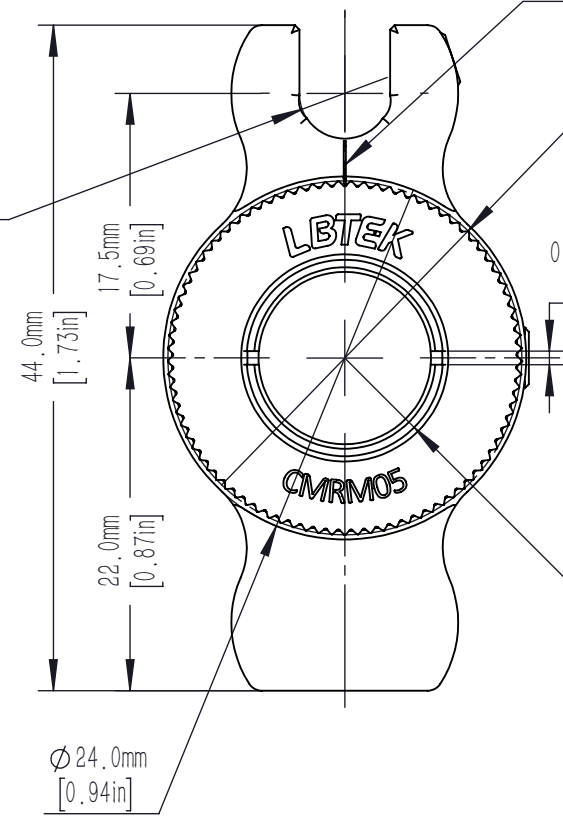
$\phi 6.0\text{mm}$
 $[0.24\text{in}]$
 FOR USING WITH $\phi 6\text{mm}$
 CAGE ASSEMBLY RODS

LOCKING SCREW FOR ROTATION
 2.0mm (0.08in) HEX
 DO NOT OVERTIGHTEN
 WHEN LOCKING

KNURLED SURFACE
 ALLOWS EASY GRIPPING



M4x0.7 MOUNTING HOLE
 5.5mm (0.22in) DEEP



WITNESS LINE

$\phi 23.4\text{mm}$ (0.92in) DIAL
 360° CONTINUOUS COURSE ADJUSTMENT

0.90mm (0.04in) COMPATIBLE WITH SPANNER WRENCH
 OWR-05A (NOT INCLUDED)

SM05 ($\phi 0.535-40$) SERIES INTERNAL THREAD,
 8.9mm (0.35in) DEEP
 ONE SM05R RETAINING RING (INCLUDED),
 1.7mm (0.07in) THICK
 $\phi 11.4\text{mm}$ [0.45in] CLEAR APERTURE

DRAWING PROJECTION			LBTEK			
	NAME	DATE	CMRMO5			
DRAWN	CZH	SEPT./22th/23	COMPACT ROTATION MOUNT FOR $\phi 12.7\text{mm}$ OPTICS			
APPROVAL	ZXU	SEPT./22th/23	MATERIAL	WEIGHT	SCALE	REV
FOR INFORMATION ONLY NOT FOR MANUFACTURING PURPOSES			N/A	0.02 Kg	2:1	C