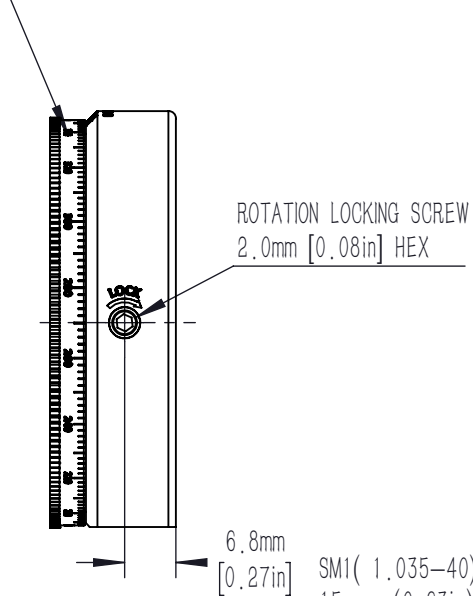
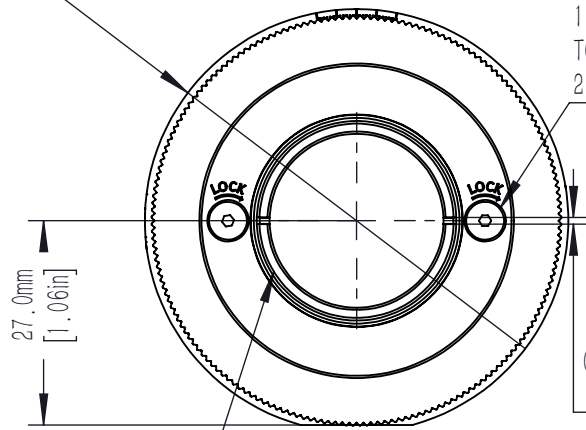


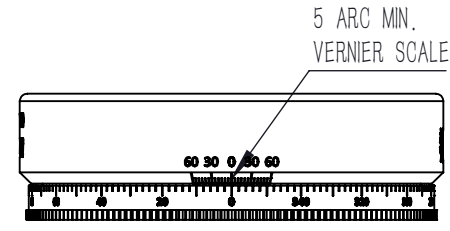
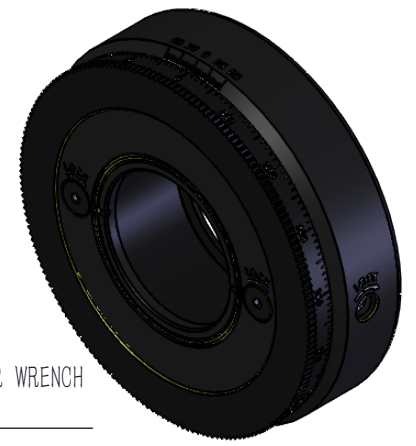
360 CONTINUOUS COURSE ADJUSTMENT



Ø 56.0mm [2.20in]



SM1 (1.035-40) SERIES INTERNAL THREAD  
15 mm (0.63in) DEEP  
ONE SM1R RETAINING RING (INCLUDED)  
2.0mm (0.08in) THICK  
φ 23.0mm [0.91in] CLEAR APERTURE



DRAWING PROJECTION			<b>LBTEK</b>			
	NAME	DATE				
DRAWN	CZH	SEPT./22th/23	MANUAL ROTATION PLATFORM WITH MICROMETER			
APPROVAL	ZXU	SEPT./22th/23	MATERIAL	WEIGHT	SCALE	REV
FOR INFORMATION ONLY NOT FOR MANUFACTURING PURPOSES			N/A	0.09 Kg	1:1	B