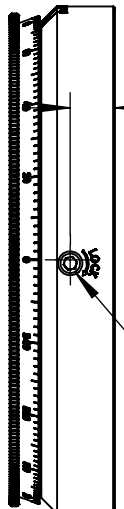


M4 x 0.7 MOUNTING HOLE
6.6 mm [0.26in] DEEP

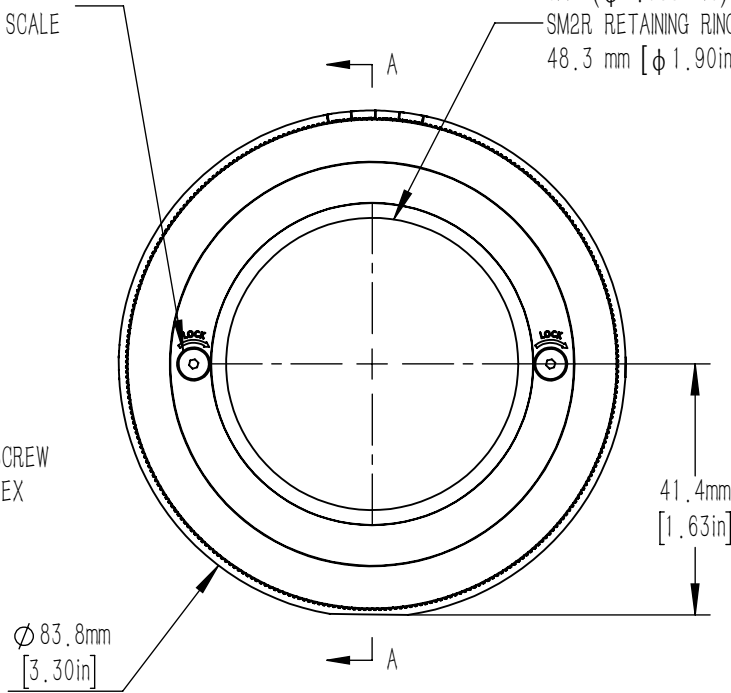
LOCKING SCREWS
1.4mm [0.06in] HEX
TO FIX THE ADJUSTABLE SCALE
2 PLACES

SM2 (φ 2.035-40) SERIES INTERNAL THREAD
SM2R RETAINING RING INCLUDED
48.3 mm [φ 1.90in] CLEAR APERTURE

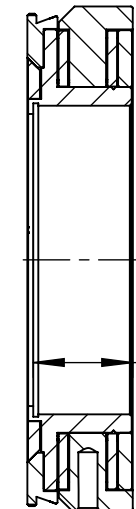


7.4mm
[0.29in]

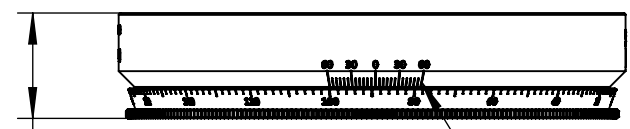
ROTATION LOCKING SCREW
2.0mm [5/64 in] HEX



A-A



16.4mm
[0.65in]



17.4mm
[0.69in]

ENGRAVED VERNIER SCALE

DRAWING PROJECTION			LBTEK			
	NAME	DATE				
DRAWN	HDE	Dec./12th/23	φ 2" OPTIC ROTATION STAGE WITH ADJUSTABLE SCALE			
APPROVAL	BJU	Dec./12th/23	MATERIAL	WEIGHT	SCALE	REV
FOR INFORMATION ONLY NOT FOR MANUFACTURING PURPOSES			N/A	0.137 Kg	4.5	B