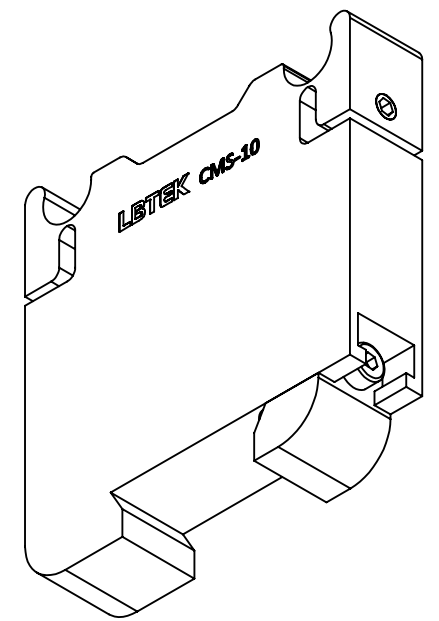


DOVETAIL MATES



DRAWING PROJECTION			<b>LBTEK</b>			
	NAME	DATE	CMS-10			
DRAWN	YWE	JULY/21th/23	COAXIAL MOUNT			
APPROVAL	ZXU	JULY/21th/23	MATERIAL	WEIGHT	SCALE	REV
FOR INFORMATION ONLY NOT FOR MANUFACTURING PURPOSES			N/A	0.035 Kg	3:2	A