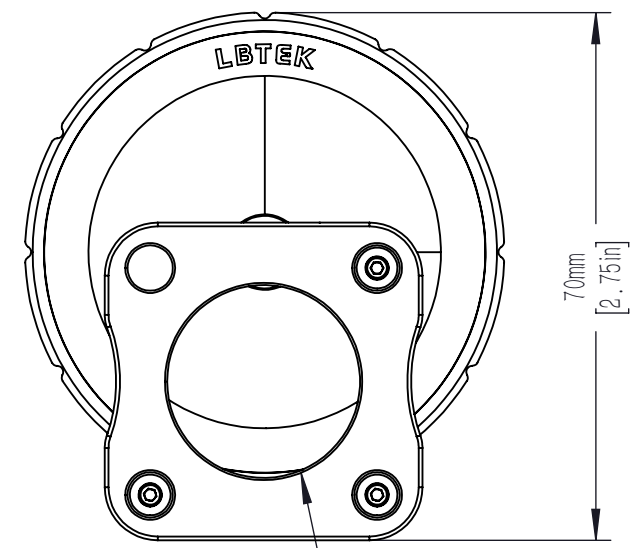
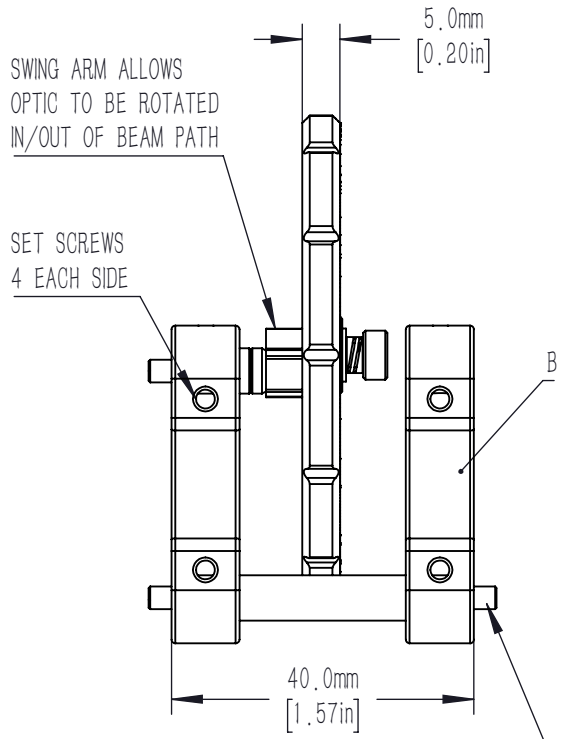
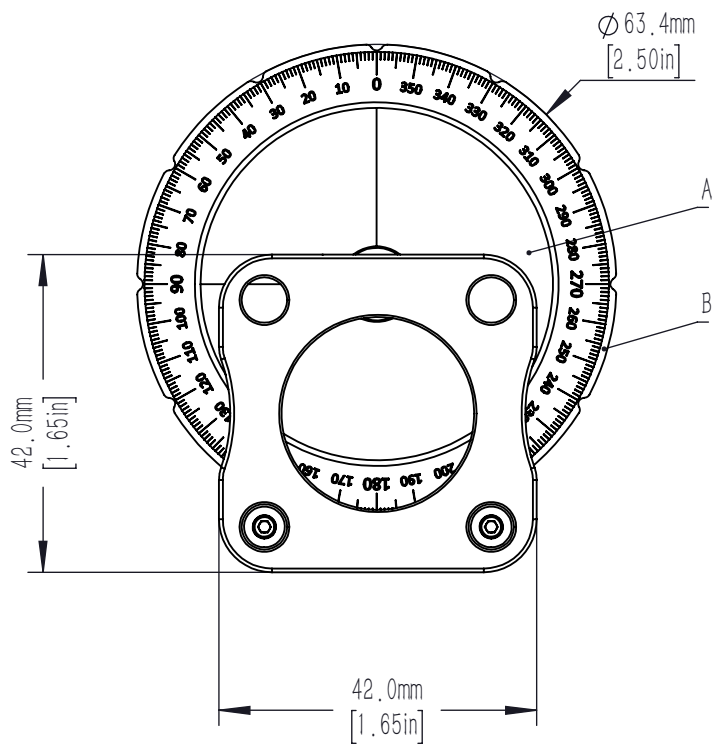


	ITEM	MATERIAL
A	NEUTRAL DENSITY FILTER	UV FUSED SILICA
B	COAXIAL PLATES & MOUNTING RING	6061-T6 ALUMINUM
C	COAXIAL ASSEMBLY RODS	STAINLESS STEEL

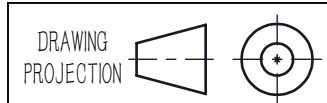
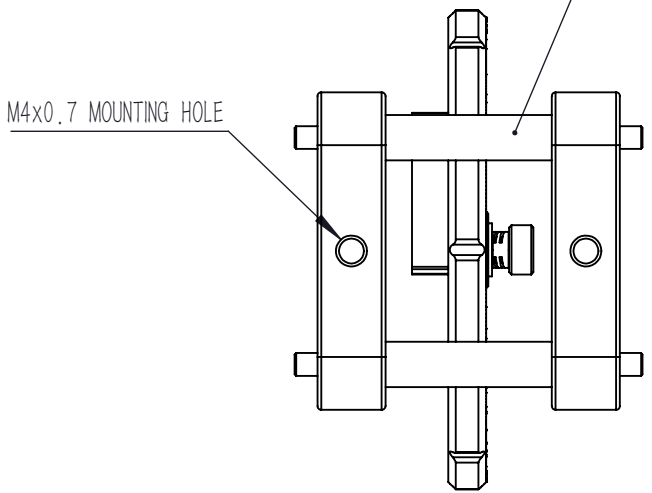


SWING ARM ALLOWS OPTIC TO BE ROTATED IN/OUT OF BEAM PATH

SET SCREWS 4 EACH SIDE

REMOVABLE M3x0.5 SET SCREW 1.5mm [0.06in] HEX BOTH ENDS 3 PLACES

SM1 (Ø1.035"-40) SERIES INTERNAL THREAD THRU Ø23mm [0.91in] CLEAR APERTURE



	NAME	DATE
DRAWN	KZH	JUN./23th/22
APPROVAL	ZXU	JUN./23th/22

<b>LBTEK</b> www.lbtek.com						
CNDFR-50C-6M						
COAXIAL SYSTEM NEUTRAL DENSITY FILTER WHEEL, OD=0-6.0						
	MATERIAL	WEIGHT	SCALE	REV		
	N/A	0.092 Kg	1:1	A		

FOR INFORMATION ONLY  
NOT FOR MANUFACTURING PURPOSES