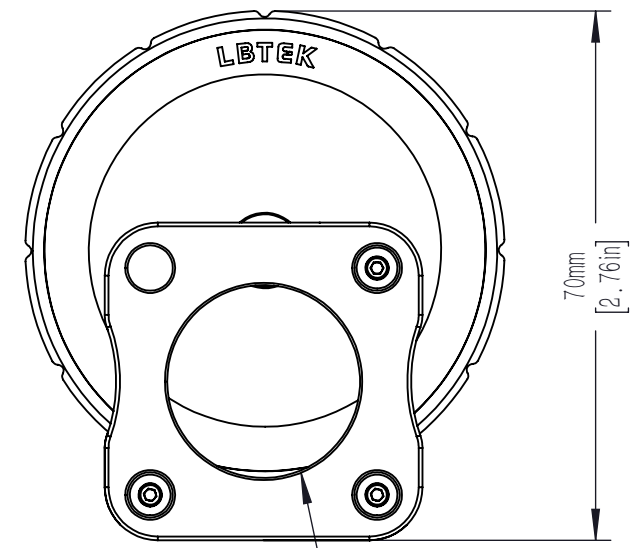
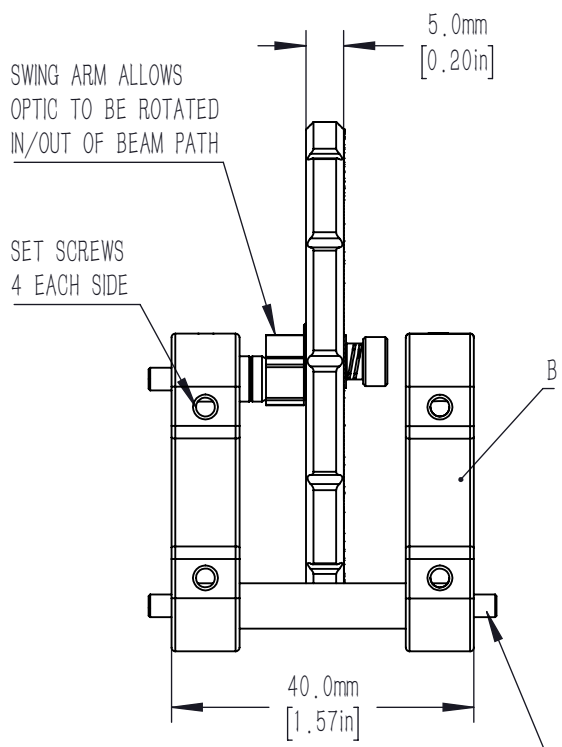
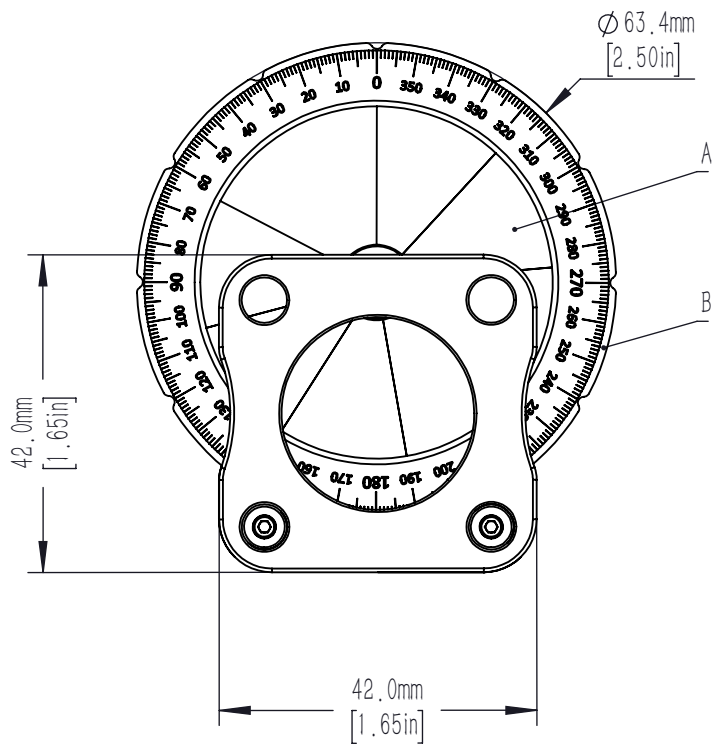


	ITEM	MATERIAL
A	NEUTRAL DENSITY FILTER	UV FUSED SILICA
B	COAXIAL PLATES & MOUNTING RING	6061-T6 ALUMINUM
C	COAXIAL ASSEMBLY RODS	STAINLESS STEEL



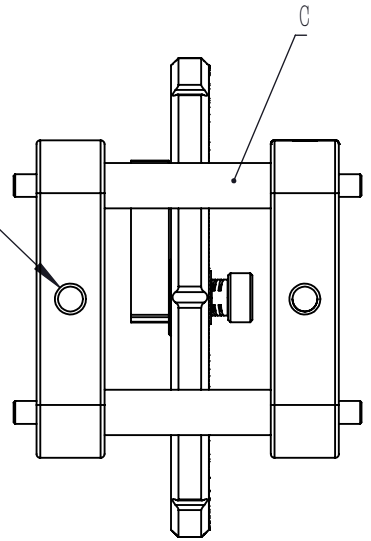
SWING ARM ALLOWS OPTIC TO BE ROTATED IN/OUT OF BEAM PATH

SET SCREWS 4 EACH SIDE

REMOVABLE M3x0.5 SET SCREW 1.5mm [0.06in] HEX BOTH ENDS 3 PLACES

SM1 (Ø1.035"-40) SERIES INTERNAL THREAD THRU Ø23mm [0.91in] CLEAR APERTURE

M4x0.7 MOUNTING HOLE



DRAWING PROJECTION				LBTEK www.lbtek.com			
	NAME	DATE					
DRAWN	KZH	JUN./23th/22		COAXIAL SYSTEM NEUTRAL DENSITY FILTER WHEEL, OD=0-1.0			
APPROVAL	ZXU	JUN./23th/22		MATERIAL	WEIGHT	SCALE	REV
FOR INFORMATION ONLY NOT FOR MANUFACTURING PURPOSES				N/A	0.093 Kg	1:1	A