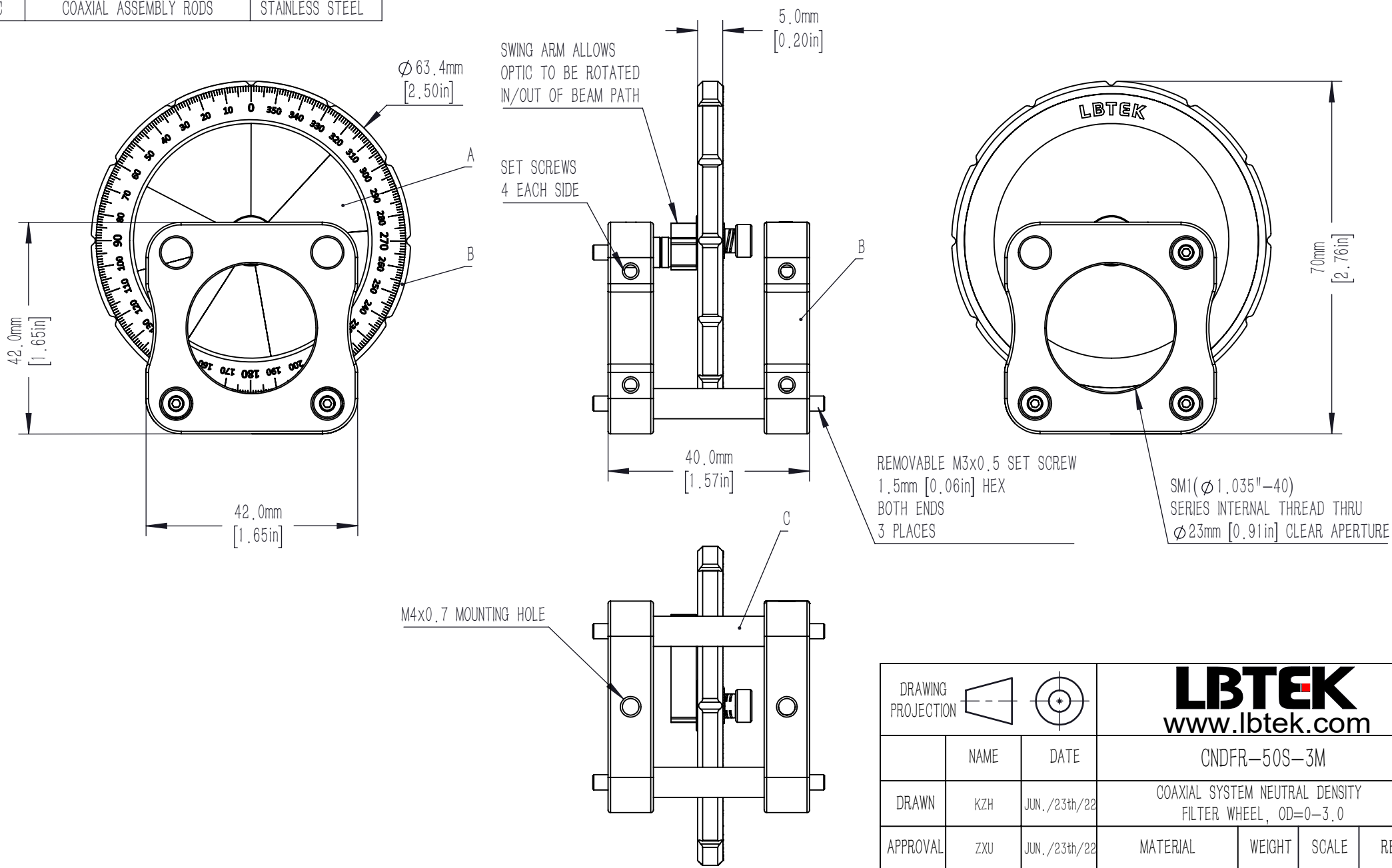


	ITEM	MATERIAL
A	NEUTRAL DENSITY FILTER	UV FUSED SILICA
B	COAXIAL PLATES & MOUNTING RING	6061-T6 ALUMINUM
C	COAXIAL ASSEMBLY RODS	STAINLESS STEEL



DRAWING PROJECTION				LBTEK www.lbtek.com			
	NAME	DATE					
DRAWN	KZH	JUN./23th/22		COAXIAL SYSTEM NEUTRAL DENSITY FILTER WHEEL, OD=0-3.0			
APPROVAL	ZXU	JUN./23th/22		MATERIAL	WEIGHT	SCALE	REV
FOR INFORMATION ONLY NOT FOR MANUFACTURING PURPOSES				N/A	0.093 Kg	1:1	A