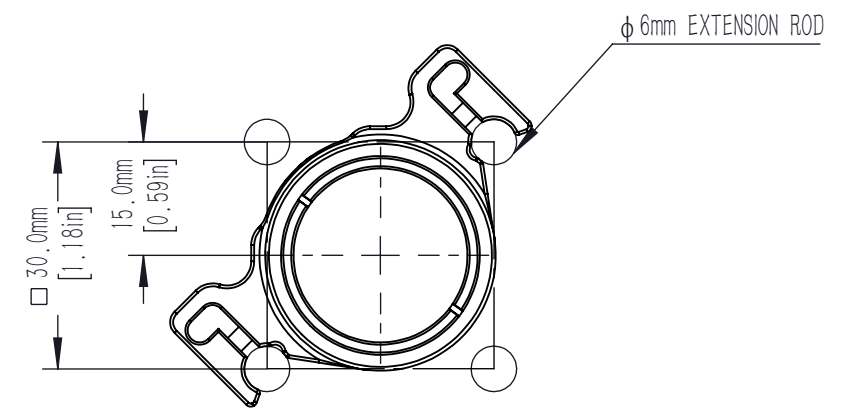
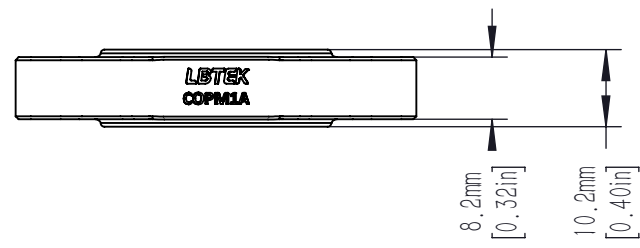


MOUNTED VIEW



DRAWING PROJECTION			<b>LBTEK</b>			
NAME	DATE	COPM1A				
DRAWN	CZH	JUL./27th/21	30 mm CLIP IN COAXIAL PLATE			
APPROVAL	YCH	JUL./27th/21	MATERIAL	WEIGHT	SCALE	REV
FOR INFORMATION ONLY NOT FOR MANUFACTURING PURPOSES			N/A	0.016 Kg	1:1	B