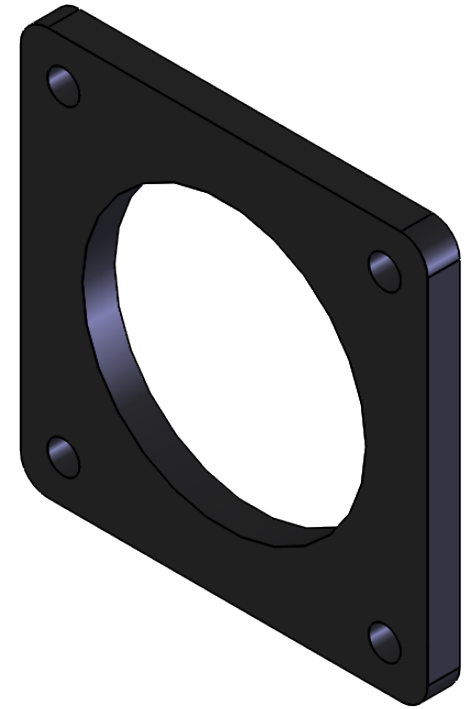
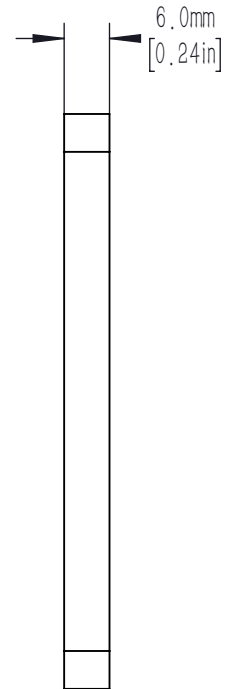
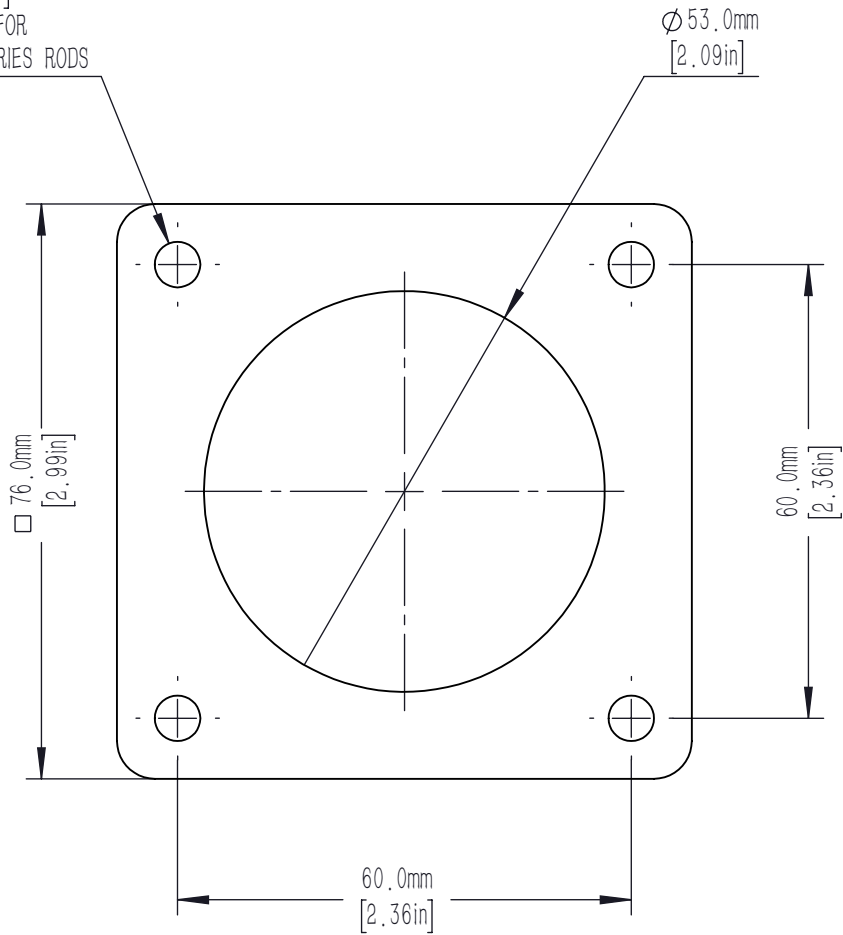


4X \varnothing 6.0mm
 [0.24in]
 THRU HOLES FOR
 USE WITH MOP SERIES RODS



DRAWING PROJECTION			LBTEK			
	NAME	DATE				
DRAWN	SSO	MAY./2th/23	60mm WINDOW WASHER CAGE PLATE			
APPROVAL	ZXU	MAY./2th/23	MATERIAL	WEIGHT	SCALE	REV
FOR INFORMATION ONLY NOT FOR MANUFACTURING PURPOSES			PORON-LE-20	0.1 g	2:1	B