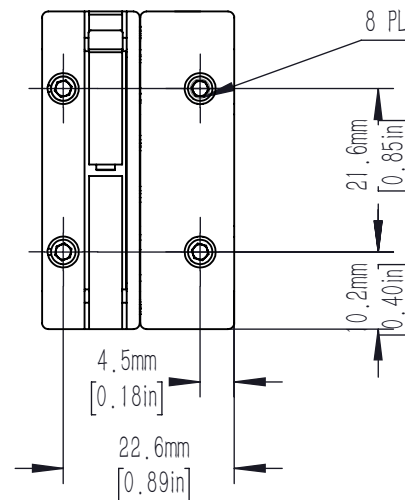


M4x0.7 LOCKING SET SCREW  
 2mm [0.08in] HEX  
 BOTH SIDES  
 8 PLACES



DRAWING PROJECTION			<b>LBTEK</b>			
	NAME	DATE				
DRAWN	CZH	AUG./23th/21	ROTATING COAXIAL PLATE			
APPROVAL	ZXU	AUG./23th/21	MATERIAL	WEIGHT	SCALE	REV
FOR INFORMATION ONLY NOT FOR MANUFACTURING PURPOSES			N/A	0.078 Kg	1:1	B