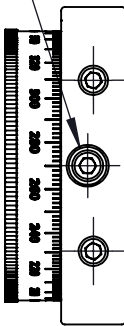
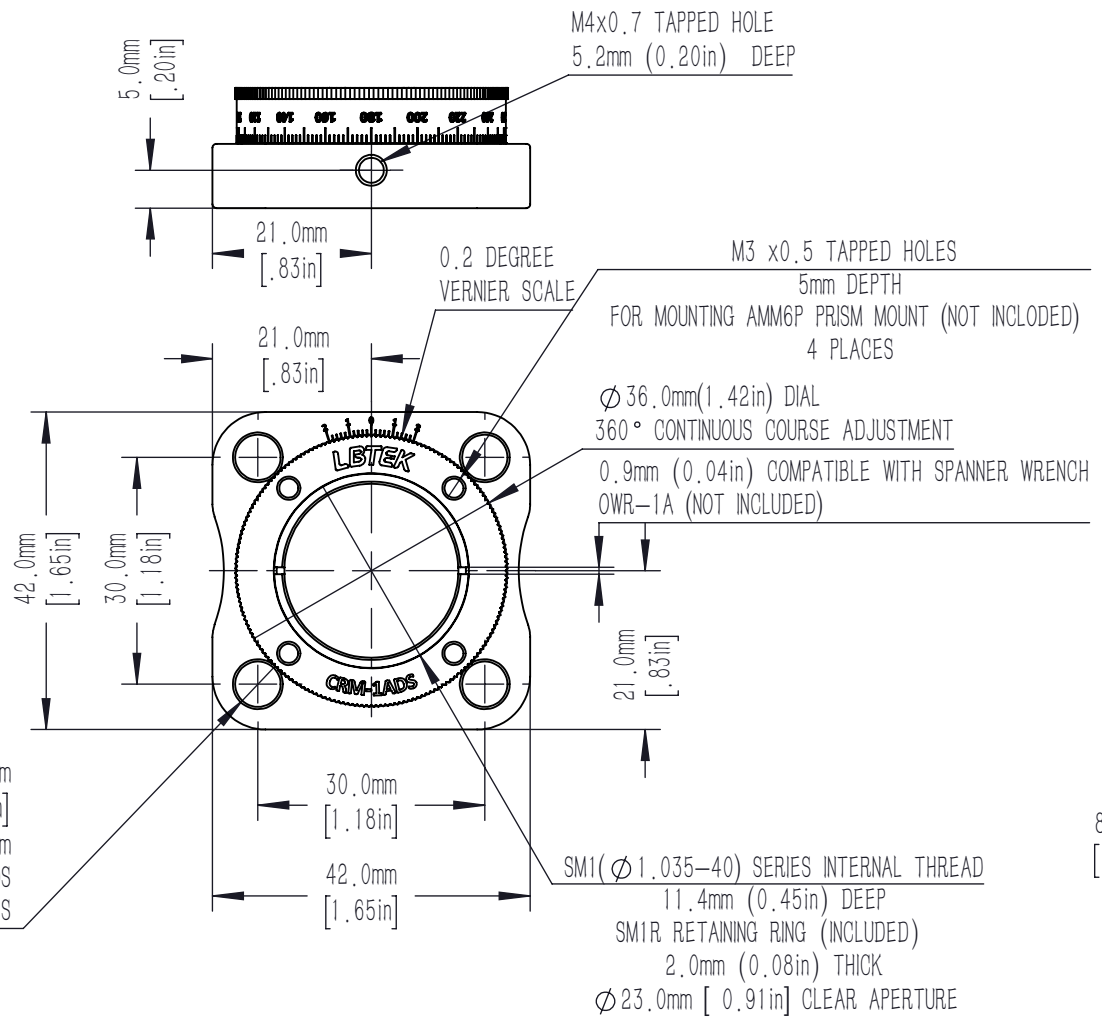


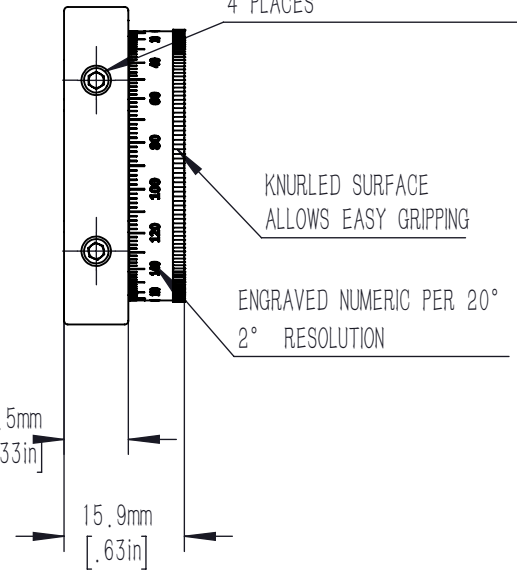
LOCKING SCREW FOR ROTATION  
2.0mm (0.08in) HEX  
DO NOT OVERTIGHTEN  
WHEN LOCKING



Ø 6.0mm [.24in]  
FOR USING WITH Ø 6mm  
CAGE ASSEMBLY RODS  
4 PLACES



LOCKING FOR Ø 6mm (Ø 0.24in) RODS  
2.0mm (0.08in) HEX  
4 PLACES



DRAWING PROJECTION			<b>LBTEK</b>			
NAME	DATE	CRM-1ADS				
DRAWN	CZH	MAR./29th/23	30mm CAGE ROTATION MOUNT WITH VERNIER SCALE			
APPROVAL	ZXU	MAR./29th/23	MATERIAL	WEIGHT	SCALE	REV
FOR INFORMATION ONLY NOT FOR MANUFACTURING PURPOSES			N/A	0.04 Kg	1:1	C