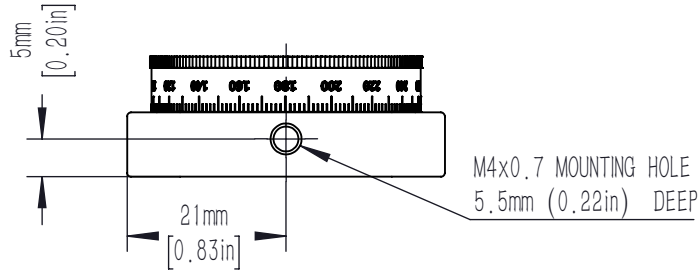


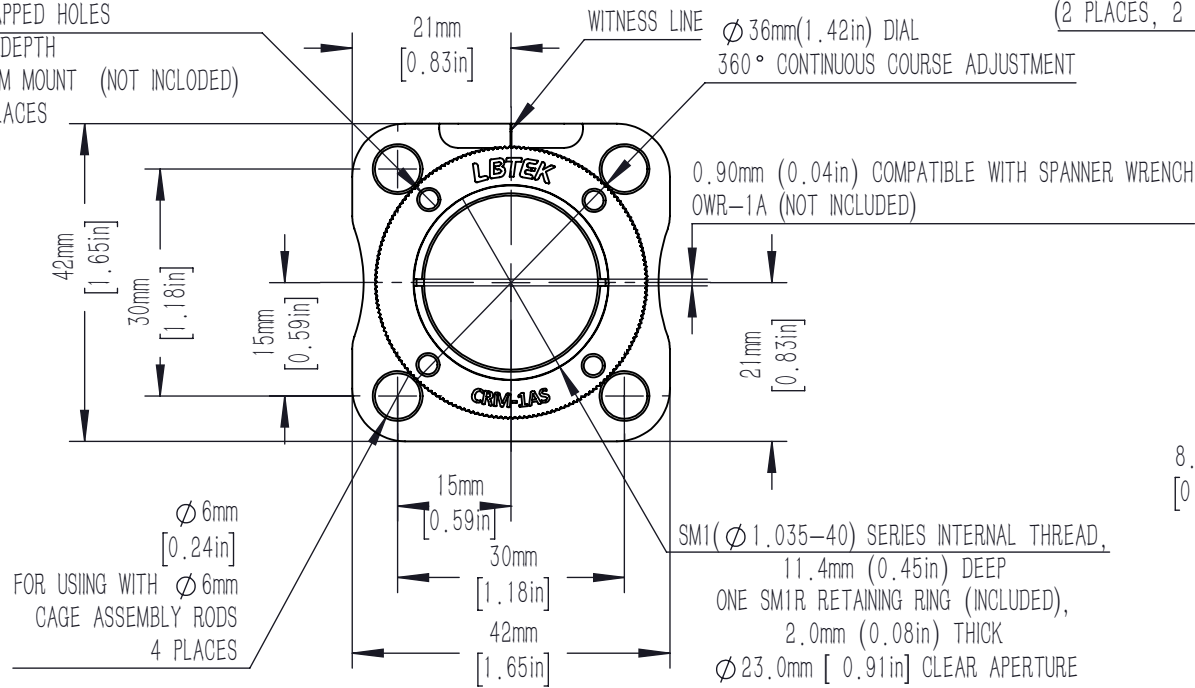
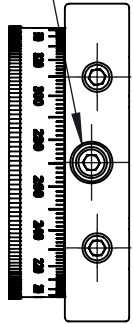
LOCKING SCREW FOR ROTATION
2.0mm(0.08in) HEX
DO NOT OVERTIGHTEN
WHEN LOCKING



LOCKING FOR $\varnothing 6\text{mm}$ ($\varnothing 0.24\text{in}$) RODS
2.0mm(0.08in) HEX
4 PLACES
(2 PLACES, 2 SIDES)

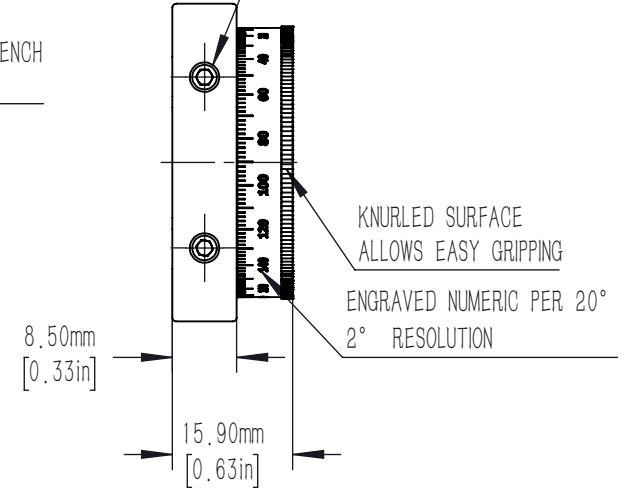


M3 x0.5 TAPPED HOLES
5mm DEPTH
FOR MOUNTING AMM6P PRISM MOUNT (NOT INCLUDED)
4 PLACES

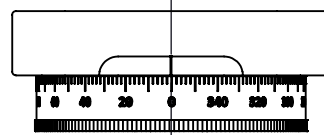


$\varnothing 6\text{mm}$ [0.24in]
FOR USING WITH $\varnothing 6\text{mm}$
CAGE ASSEMBLY RODS
4 PLACES

SM1($\varnothing 1.035-40$) SERIES INTERNAL THREAD,
11.4mm (0.45in) DEEP
ONE SM1R RETAINING RING (INCLUDED),
2.0mm (0.08in) THICK
 $\varnothing 23.0\text{mm}$ [0.91in] CLEAR APERTURE



KNURLED SURFACE
ALLOWS EASY GRIPPING
ENGRAVED NUMERIC PER 20°
2° RESOLUTION



DRAWING PROJECTION			LBTEK			
	NAME	DATE				
DRAWN	CZH	MAR./29th/23	30mm CAGE ROTATION MOUNT			
APPROVAL	ZXU	MAR./29th/23	MATERIAL	WEIGHT	SCALE	REV
FOR INFORMATION ONLY NOT FOR MANUFACTURING PURPOSES			N/A	0.04 Kg	1:1	D